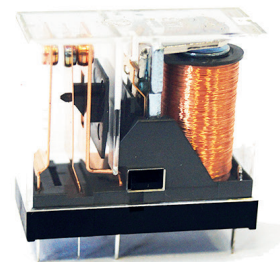
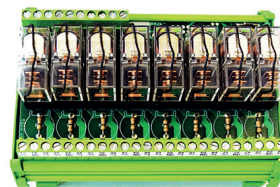
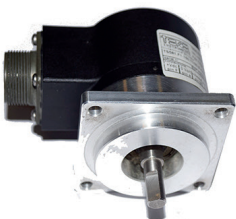
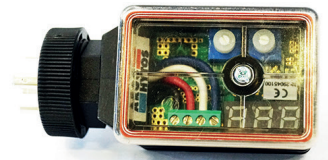
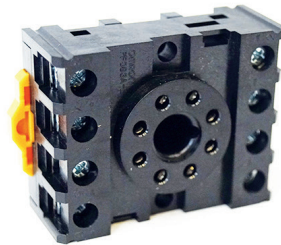




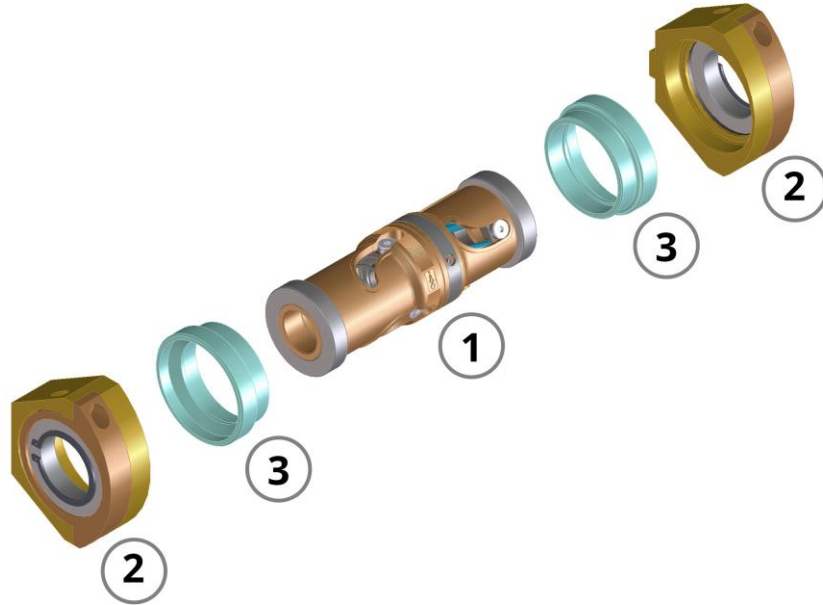
SPARE PARTS CATALOGUE



INDEX

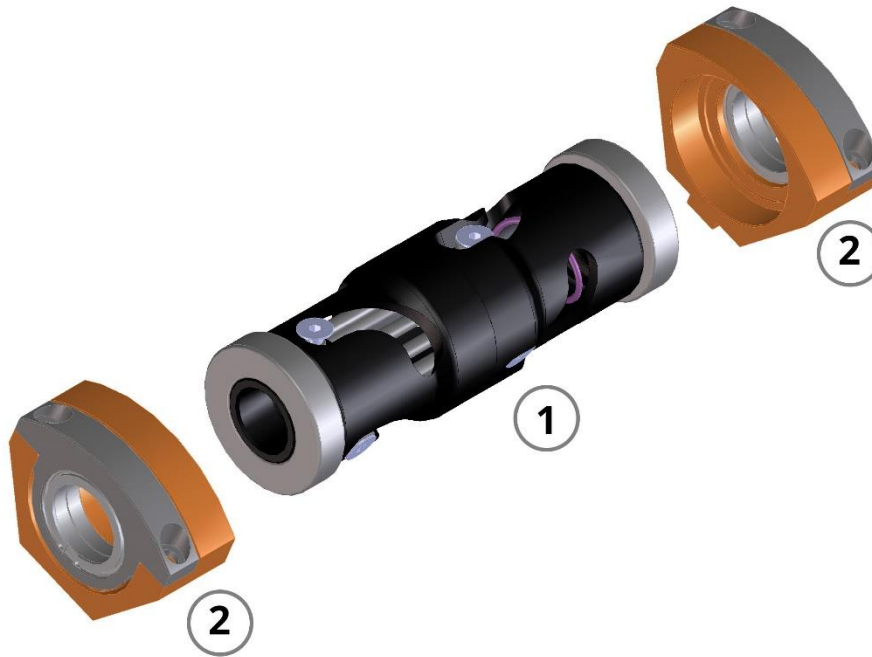
ROTARY CENTERING DEVICE UNIT WITH MODULAR REDUCTION.....	01
ROTARY CENTERING DEVICE UNIT – 6 STUDS.....	02
ROTARY CENTERING DEVICE UNIT – 4 STUDS.....	03
CENTERING DEVICE COMPONENTS.....	04
SUPPORT FOR CENTERING DEVICE UNIT.....	05
INSIDE UNIT.....	06
“PADDLE” CENTERING DEVICE.....	07
SPRING BUSHING.....	08
ROTARY ELEMENTS.....	15
COUPLING FOR BUNDLE.....	18
GIUNTO DI COLLEGAMENTO	18
GRIPPER JAWS UNIT.....	19
CHAIN GUIDES FOR DRUM AND REAR DRUM FOR STANDARD LOADERS.....	22
BLADES.....	24
NO OVERLAPPING BAR SYSTEM.....	34
BUSHING FOR FRONT FLANGE.....	35
CHAIN TENSIONER	36
PNEUMATIC UNIT.....	37
HYDRAULIC UNIT.....	39
DISTRIBUTOR.....	43
FITTINGS	47
PROPORTIONAL VALVE KIT.....	48
HYDRAULIC VALVES.....	48
ELECTRIC EQUIPMENT.....	49
STOCK TUBE ELEMENTS.....	53
COLLETS	56
FORKS	60
MULTI F VULKOLAN CHANNEL.....	61
CENTERING JAW FOR SINGLE SPINDLES ONE 42-42S-65-92.....	62
TELESERVICE KIT.....	63
TELESERVICE KIT INDUSTRY 4.0.....	64
ENCODER AND CABLES.....	65
SENSORS	67
PLC BOARDS.....	69
PANELS.....	71
SPARE PARTS ORDER FORM	73

ROTARY CENTERING DEVICE UNIT WITH MODULAR REDUCTION



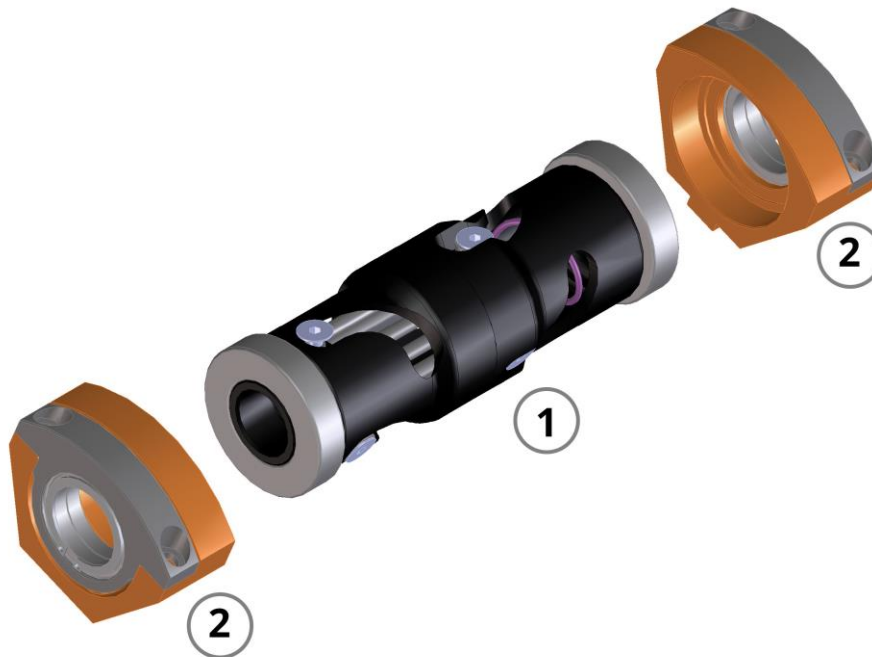
P.B.	CENTERING DEVICE UNIT	1. ROTARY CENTERING DEVICE	2. CENTERING DEVICE SUPPORT	3. REDUCTION	3. 2°REDUCTION	CAPACITY
UP TO PB. 20	DA 04587	DA 04549	DA 04553	PM 06553	/	FROM 20 TO 26
	DA 04588	DA 04549	DA 04555	PM 07021	/	FROM 20 TO 35
	DA 04589	DA 04549	/	PM 07021	/	FROM 20 TO 35
	DA 04590	DA 04549	DA 04557	PM 07021	PM 06632	FROM 20 TO 52
UP TO PB. 26	DA 04591	DA 04552	DA 04555	PM 06631	/	FROM 26 TO 35
	DA 04592	DA04552	/	PM 06631	/	FROM 26 TO 35
	DA 04593	DA 04552	DA 04557	PM 06631	PM 06632	FROM 26 TO 52
UP TO PB.35	DA 04594	DA 04554	DA 04557	PM 06632	/	FROM 35 TO 52
	DA 04595	DA 04554	DA 04559	PM 06632	PM 06634	FROM 35 TO 62
UP TO PB. 52	DA 04596	DA 04556	DA 04559	PM 06634	/	FROM 52 TO 62

ROTARY CENTERING DEVICE UNIT - 6 STUDS



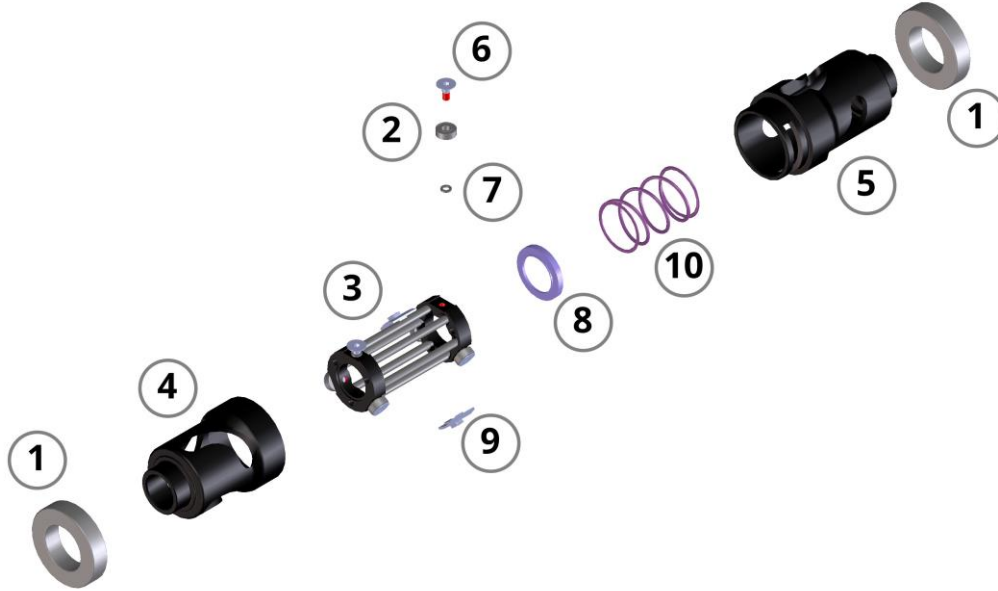
P.B.	1. ROTARY CENTERING DEVICE	2. CENTERING DEVICE SUPPORT	1.+2.	SCREWS
UP TO PB. 20	DA 04549	DA 04550	DA 04110	TB M8X16
UP TO PB. 26	DA 04552	DA 04553	DA 04111	TB M8X16
UP TO PB. 35	DA 04554	DA 04555	DA 04112	TB M8X16
UP TO PB. 52	DA 04556	DA 04557	DA 04113	TB M10X20
UP TO PB. 62	DA 04558	DA 04559	DA 04114	TB M10X20
UP TO PB. 82	DA 04560	DA 04561	DA 04115	

ROTARY CENTERING DEVICE UNIT - 4 STUDS



P.B.	1. ROTARY CENTERING DEVICE	2. CENTERING DEVICE SUPPORT	1.+2.	SCREWS
UP TO PB. 20	DA 04549-A	DA 04550	DA 04110-A	TB M5x8
UP TO PB. 26	DA 04552-A	DA 04553	DA 04111-A	TB M5x8
UP TO PB. 35	DA 04554-A	DA 04555	DA 04112-A	TB M6x10
UP TO PB. 52	DA 04556-A	DA 04557	DA 04113-A	TB M8X12 CH5
UP TO PB. 62	DA 04558-A	DA 04559	DA 04114-A	TB M8X10

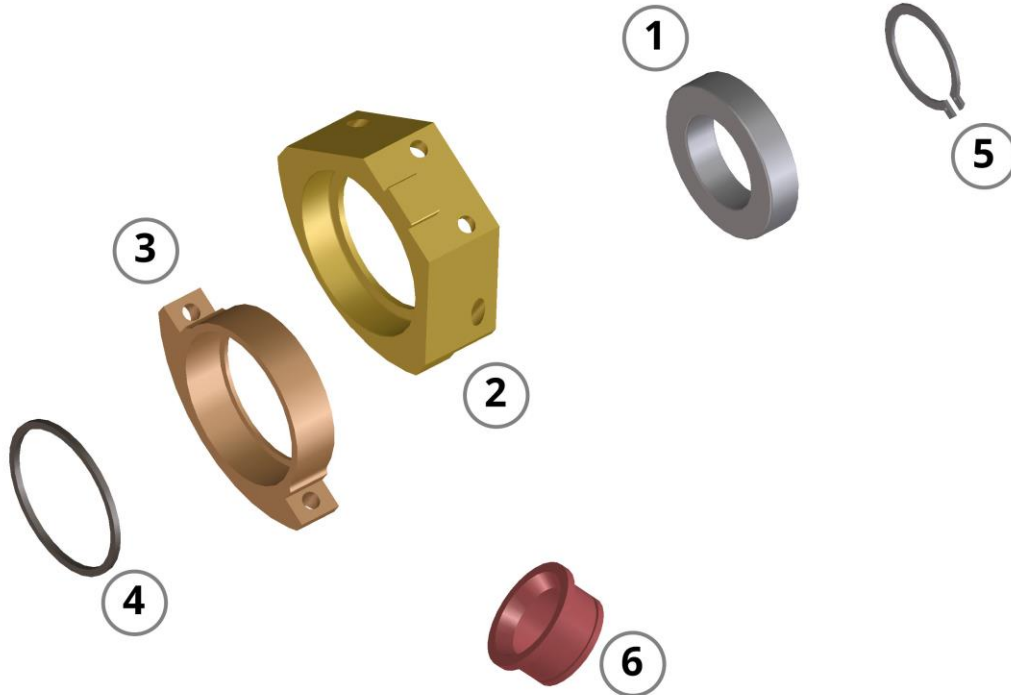
CENTERING DEVICE COMPONENTS



POS.	DESCRIPTION	PB20	PB26	PB35
1	CENTERING DEVICE BEARING	BLT-CC-000719	BLT-CC-000752	BLT-CC-000051
2	BERING FOR PIN	BLT-CC-004300	BLT-CC-000053	BLT-CC-000052
3	INSIDE UNIT	DA01875	DA01876	DA01877
4	SEM-TUBO WITH LOCKRING	PM05906	PM06262	PM05808
5	SEM-TUBO WITH SPRING	PM05907	PM06263	PM05809
6	PIN FOR BERING	PM05944	PM06293	PM05803
7	SPACER FOR BEARING	PM05943	PM06296	PM05804
8	FLANGE	PM05936	PM06295	PM05805
9	BLOCK	PM05942	PM06297	PM05821
10	SPRING	PM05984	PM06298	PM05717

POS.	DESCRIPTION	PB52	PB62	PB82
1	CENTERING DEVICE BEARING	BLT-CC-000224	BLT-CC-000664	6019-2Z-C3
2	BERING FOR PIN	BLT-CC-000225	BLT-CC-000665	BLT-CC-000665
3	INSIDE UNIT	DA1878	DA01879	DA01880
4	SEM-TUBO WITH LOCKRING	PM05869	PM05920	PM06224
5	SEM-TUBO WITH SPRING	PM05870	PM05921	PM06225
6	PIN FOR BERING	PM05882	PM05975	PM05975
7	SPACER FOR BEARING	PM05884	PM05976	PM06231
8	FLANGE	PM05885	PM05972	
9	BLOCK	PM05887 PER PB50 PM05887-A PER PB52	PM05980	PM06223
10	SPRING	PM05985-B	PM05986	PM06226

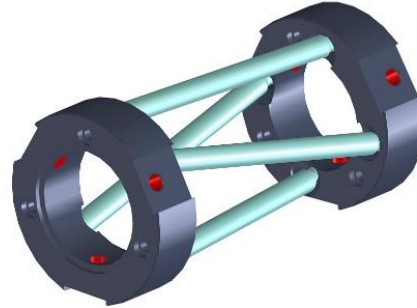
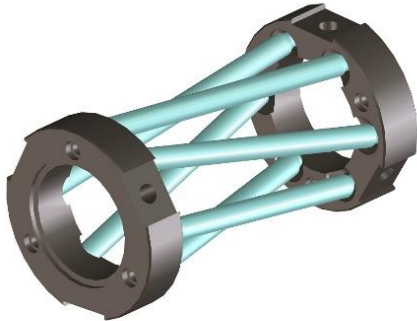
SUPPORT FOR CENTERING DEVICE UNIT



POS.	DESCRIPTION	PB20	PB26	PB35
1	BERING FOR BUSHING	BLT-CC-009473	BLT-CC-000779	BLT-CC-000138
2	CENTERING DEVICE SUPPORT	PM05994-B	PM06465	PM06469
3	BUSHING SUPPORT	PM05994-C	PM06466	PM06470
4	SPACER			PM06539
5	CIRCLIP	BLT-CC-000216	BLT-CC-000237	BLT-CC-000160
6	BUSHING	PM05994-D	PM06468	PM06471
	FLATHEAD SCREWS	TB 8X16	TB 8X16	TB 8X16

POS.	DESCRIPTION	PB52	PB62	PB82
1	BERING FOR BUSHING	BLT-CC-000226	BLT-CC-000666	61817-2RZ
2	CENTERING DEVICE SUPPORT	PM06480	PM06472	PM06316-B
3	BUSHING SUPPORT	PM06481	PM06473	PM06316-C
4	SPACER	PM06538	PM06534	PM06316-E
5	CIRCLIP	BLT-CC-000227	BLT-CC-000668	BLT-CC-000961
6	BUSHING	PM06483	PM06474	PM13643
	FLATHEAD SCREWS	TB 10X20 CH7	TB 10X20	

INSIDE UNIT



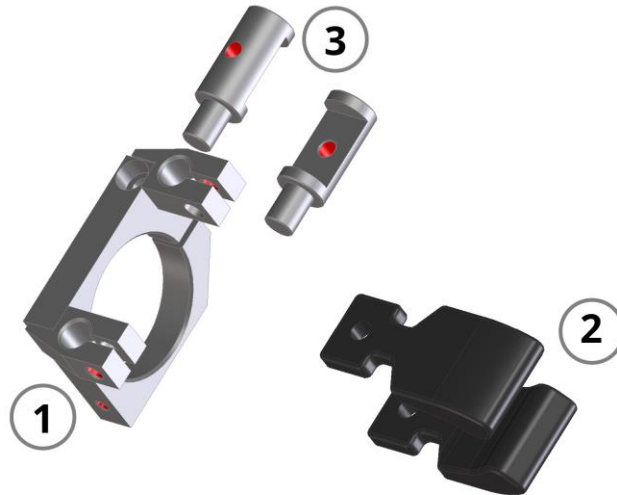
A - FOR ROUND AND HEXAGONAL BARS

B - FOR SQUARE BARS

A	PB20	PB26	PB35	PB52	PB62	PB82
INSIDE UNIT	DA01875	DA01876	DA01877	DA01878	DA01879	DA01880
STUD	PM05938	PM06294	PM05815	PM05883	PM05974	PM06218
FLANGE FOR 6 STUDS UNIT	PM05905	PM06260	PM05802	PM05863	PM05916	

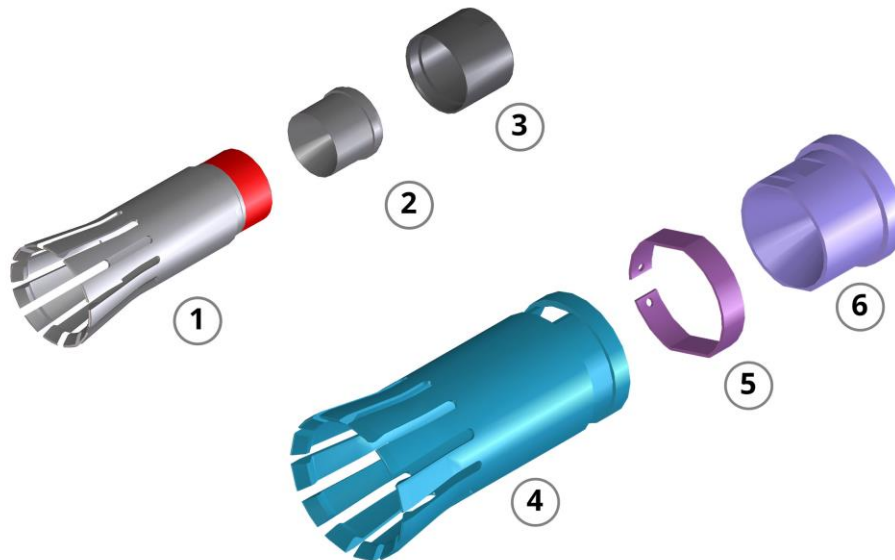
B	PB20	PB26	PB35	PB52	PB62	PB82
INSIDE UNIT	DA01875-A	DA01876-A	DA01877-A	DA01878-A	DA01879-A	DA01880-A
STUD	PM05938	PM06294	PM05815	PM05883	PM05974	PM06218
FLANGE FOR 4 STUDS UNIT	PM06124	PM06305	PM06120	PM06126	PM06138	

"PADDLE" CENTERING DEVICE



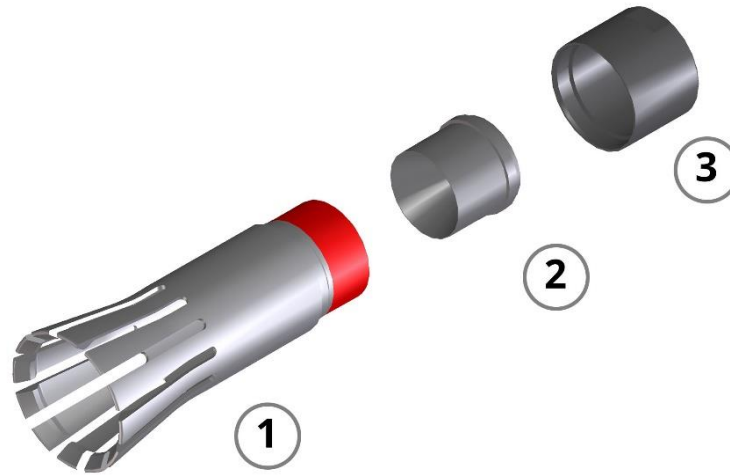
TUBE Ø	1. BLOCK AND HINGE UNIT	2. CENTERING DVICE BLADE	3. PIN
40	DA00721-A		
43	DA01308		
48	DA00718-A	PM03461	PM03468
55	DA00717-A	PM03461	PM03468
65	DA00719-A	PM03461	PM03468
75	DA01102		
100	DA01490	PM03461-A	

SPRING BUSHING



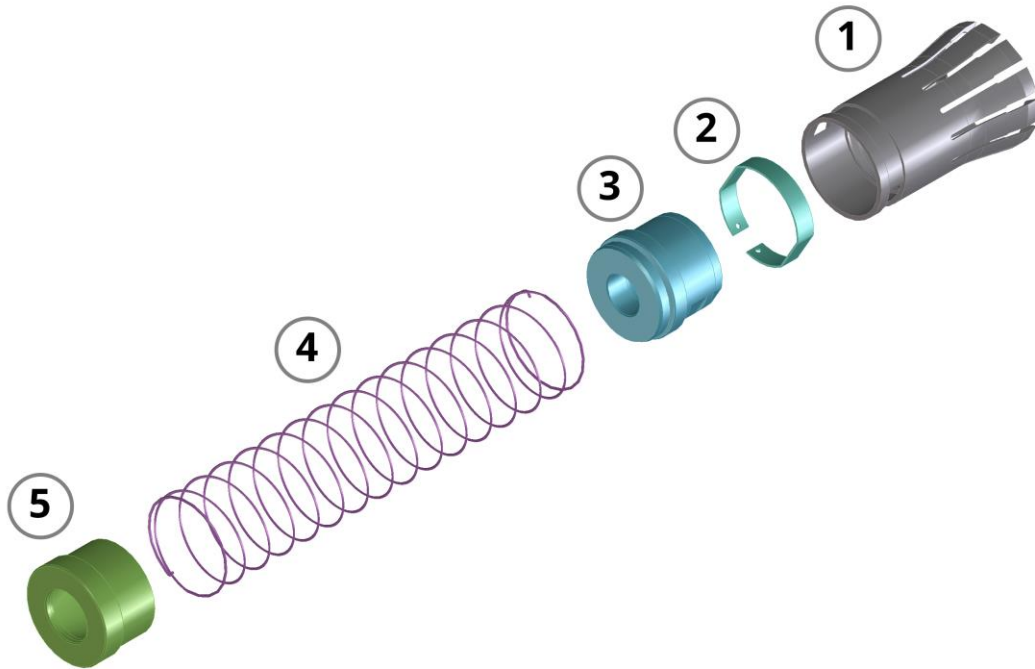
POS.	DESCRIPTION
1	BUSHING WITH THREAD
2	INSERT FOR BUSHING WITH THREAD
3	CAP FOR BUSHING
4	BUSHING WITH SPRING
5	SPRING
6	INSERT FOR BUSHING WITH SPRING

SPRING BUSHING WITH CAP



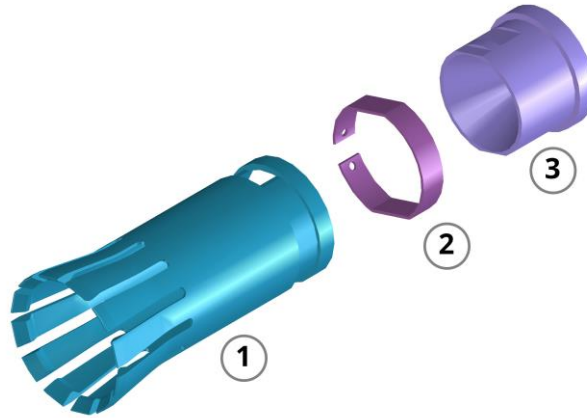
PB	1 . BUSHING	2 . INSERT	3 . CAP
15 - 16	PM06519	PM06523	PM06522-A
	PM07059	PM07060	PM07061
20	PM06998	PM06969	PM06970
	PM06645	PM06649	PM06648
24	PM06804	PM06805	PM06806
	PM06854	PM06855	PM06856
	PM06922	PM06855	PM06923
	PM07031	PM07033	PM07032
30	PM06588	PM06593	PM06592
	PM06684	PM06685	PM06686
32	PM06952	PM06954	PM06953
35	PM06812	PM06814	PM06813
40	PM06833	PM06835	PM06834
41	PM06706	PM06709	PM06708
43	PM07276	PM07278	PM07277
45	PM07276	PM13662	
48	PM06918	PM06919	PM06920
50	PM07178	PM06866	PM07179
	PM06865	PM06866	PM06867
56	PM07642	PM07644	PM07643
72	PM06986	PM06988	PM06987

SPRING BUSHING WITH SPRING AND SLIDING INSERT



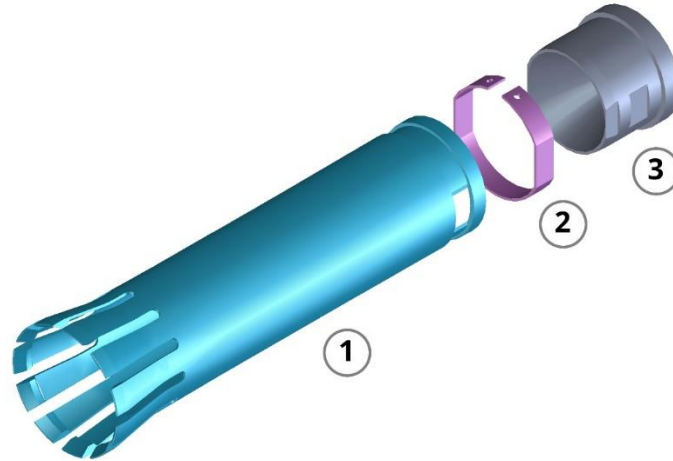
PB	1. BUSHING WITH INSERT	2. SPRING FOR BUSHING	3. INSERT WITH COUPLING	4. SPRING FOR SLIDING INSERT	5. SLIDING INSERT	SPRING BUSHING O/D
20	PM11185	PM11187	PM17451	PM17452	PM17454	21
23	PM11595	PM11598	PM11599	PM11600	PM11601	24
24	PM12409	PM12411	PM12412	PM12414	PM12413	25
32	PM12075	PM12076	PM12078	PM12414	PM12080	34
35	PM10463	PM10464	PM10466	PM10468	PM10467	37
38	PM12185	PM12193	PM12196	PM12194	PM12195	40
40	PM06833-B	PM07382	PM17234	PM17236	PM17235	41
41	PM09650	PM09654	PM10840	PM10838	PM10839	42,5
41	PM11391	PM09654	PM11394	PM11392	PM11395	43
43	PM10443	PM10446	PM10656	PM10658	PM10657	44
44	PM11026	PM11028	PM11389	PM11388	PM11390	46
56	PM09043	PM09045	PM13412	PM13411	PM13414	58
75	PM16970	PM16972	PM18034	PM17027	PM17028	78

SPRING BUSHING WITH SPRING



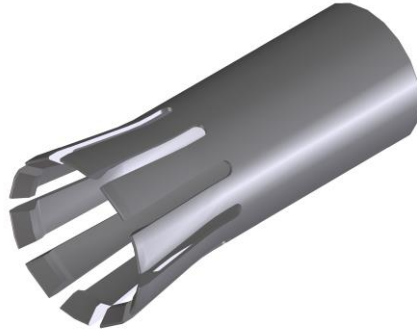
PB	1. BUSHING WITH INSERT	2. SPRING	3. INSERT	SPRING BUSHING O/D	NOTES
15 - 16	PM10102	PM10104	PM10103	17	
20	PM11185	PM11187	PM11186	21	
23	PM11595	PM11598	PM11597	24	
24	PM12409	PM12411	PM12410	25	
24 - 25	PM09637	PM09639	PM09638	26,5	
30	PM06684-B	PM07381	PM13649	32	
32	PM12075	PM12076	PM12077	34	
35	PM10463	PM10464	PM10465	37	
38	PM12185	PM12193	PM12191	40	
40	PM06833-B	PM07382	PM13659	41	
40			PM19467	41	TOLERANCE +0.6/+0.7
40			PM13031		INSERT W/OUT KEY
41	PM09650	PM09654	PM09651	42,5	
41	PM11391	PM09654	PM11393	43	
43	PM10443	PM10446	PM10444	44	
44	PM11026	PM11028	PM11027	46	
45	PM09568	PM09570	PM09569	47	
48	PM17110	PM17112	PM17111	49	
48	PM17237	PM17238	PM17239	50	
50	PM17221	PM17225	PM17227	52	
52	PM10397	PM09704	PM09703	53	
56	PM09043	PM09045	PM09044	58	
56	PM13964	PM13966	PM13965	60	
58	PM12319	PM12326	PM12325	62	
60 - 62	PM07283-A	PM08027	PM13663	64	
68	PM09423	PM09425	PM09424	71	
72	PM08511	PM08513	PM08512	74	GM67 3 SPINDLES
75	PM16970	PM16972	PM16971	78	
85	PM08591	PM08593	PM08592	90	

LONG SPRING BUSHING WITH SPRING



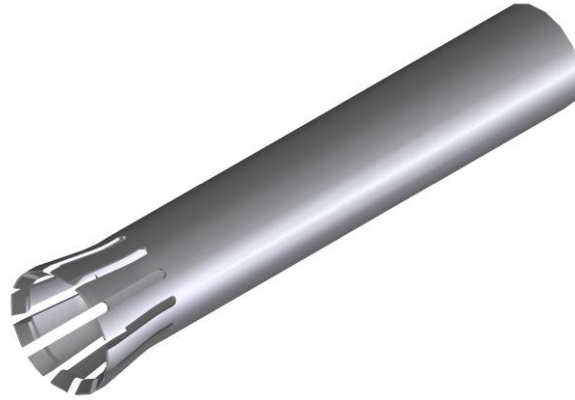
PB	LONG BUSHING WITH INSERT	INSERT	SPRING	SPRING BUSHING O/D	NOTES
35	PM10463-D	PM10465	PM10464	37	
41	PM18613	PM11393	PM09654	43	
52	PM09702	PM09703	PM09704	53	INDEX MS 52
52	PM17955	PM09703	PM09704	53	SCX
54	PM12515	PM09703	PM09704	53	
62	PM19479	PM12325	PM12326	62	
62	PM18419	PM18420	PM18423	68	
68	PM17321	PM09424	PM09425	71	
66	PM19309	PM19310	PM19311	77	
76	PM19720	PM19718	PM19719	76	
82	PM19723	PM19725	PM19724	82	
92	PM17727	PM17728	PM17729	95	

SPRINGBUSHING WITHOUT INSERT



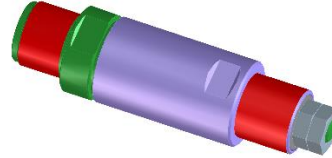
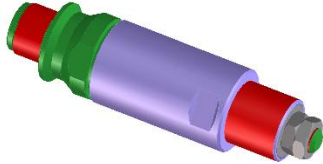
PB	BUSHING W/OUT INSERT	SPRING BUSHING O/D	NOTES
15 - 16	PM10107	17	
20	PM11188	21	
21	PM08056	24	
23	PM11602	24	
24	PM12425	25	
24 - 25	PM09643	26,5	
30	PM17435	30,8	
35	PM10431	37	
38	PM12192	40	
40	PM11286	41	
40	PM19466	41	TOLERANCE + 0,6/0,7
41	PM09652	42,5	
41	PM10182	43	
43	PM16983	44	
45	PM11285	47	
46	PM09243	48	
48	PM17113	49	
48	PM17240	50	
50	PM11231	52	
52	PM18432	53	
56	PM18263	58	
56	PM13967	60	
58	PM12320	62	
60 - 62	PM10100	64	
68	PM09428	71	
72	PM12329	74	
72	PM11977	75	GMC70 3 SPINDLES
75	PM16973	78	
75	PM18039	78	WITH COUPLER FOR SLIDING INSERT

LONG SPRING BUSHING WITHOUT INSERT



PB	BUSHING W/OUT INSERT	SPRING BUSHING O/D	NOTES
41	PM18614	43	
52	PM09741	53	
	PM17979	53	
62	PM19501	62	
62	PM18424	68	
76	PM19721	76	
68	PM17463	71	
82	PM19725	82	

ROTARY ELEMENTS



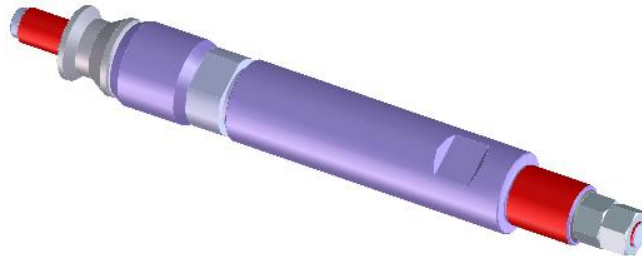
FRONT ROTARY ELEMENT WITH KEYHOLE

REAR ROTARY ELEMENT

PB	FRONT ROTARY ELEMENT (SPARE PARTS ONLY)	FRONT ROTARY ELEMENT WITH KEYHOLE (FOR SPRING BUSHING)	REAR ROTARY ELEMENT
14		DA 3472	
15		DA02999	
16	DA 1767-A DA 1767	DA 3391 M10x1	DA 1767-E (SPARE PARTS ONLY)
16		DA05771 M10x1,5	
19		DA 4328	
20	DA01863-A	DA01863	DA01863-B
20		DA 3220 (WITH BALL)	
22		DA05970	
23		DA 3177	DA 3178
24	DA01956-A	DA01956	DA01956-B
24		DA01956-C (WITH PLUG)	
24		DA04841 (INDEX MS22)	
25		DA02694	DA02694-A
30		DA01955	DA01955-A
32	DA 2193-B	DA 2193	DA 2193-A
35	DA 1954-B	DA 1954	DA 1954-A
38	DA 2008-B	DA 2008	DA 2008-A
40	DA 1957-B	DA 1957	DA 1957-A
41	DA 2120-B	DA 2120	DA 2120-A
42	DA 2009-B	DA 2009	DA 2009-A
43	DA 2091-B	DA 2091	DA 2091-A
44	DA05785		DA05141
45	DA 2716-C	DA 2716	DA 2716-A

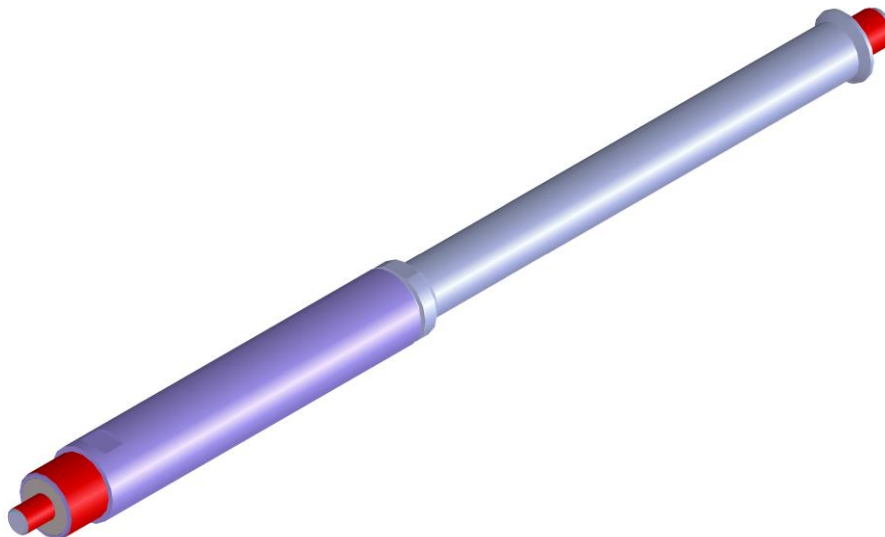
PB	FRONT ROTARY ELEMENT (SPARE PARTS ONLY)	FRONT ROTARY ELEMENT WITH KEYHOLE (FOR SPRING BUSHING)	REAR ROTARY ELEMENT
46		DA 2635	DA 2636
48	DA 2155-B	DA 2155	DA 2155-A
50	DA 1971-B	DA 1971	DA 1971-A
50		DA 1971-C (REDUCED TO PB.49)	
51			DA04686-A
51			DA04686-B (VIEGA)
52	DA 2505	DA 2504	DA02506
52			DA02506-A (VIEGA)
54	DA 3598-B	DA 3598	DA 3598-A
56	DA 2194-B	DA 2194	DA 2194-A
56		DA 2593 (SPRING BUSHING O/D 58)	
60	DA 2010	DA 2010-B	DA 2010-A
62	DA 2031	DA 2031-B	DA 2031-A
64	DA 3247		DA 3243
70	DA 2011	DA 2011-B	DA 2011-A
72	DA 2015	DA 2015-C	DA 2015-A
75	DA 2289	DA 2289-B	DA 2289-A
80		DA 4099	DA 4099-A
80		DA 4099-B (WITH PLUG)	
84-85	DA 2493-A	DA 2493	DA 2493-B
92		DA 4352	DA 4377
95			DA 4351
100		DA 3602	DA 3600

FRONT ROTARY ELEMENT WITH RING



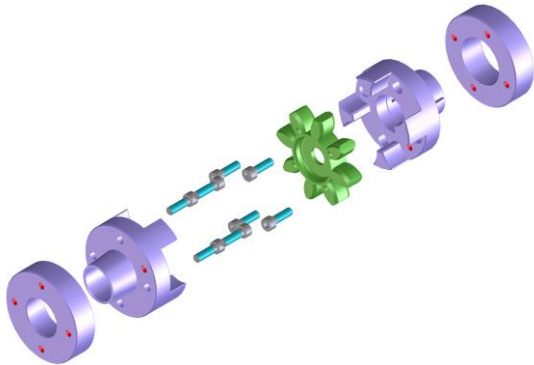
PB	FRONT ROTARY ELEMENT WITH RING (FOR SPRING BUSHING)	LATHE
23	DA03804	INDEX MS18
24	DA04841	INDEX MS22

LONG ROTARY ELEMENT



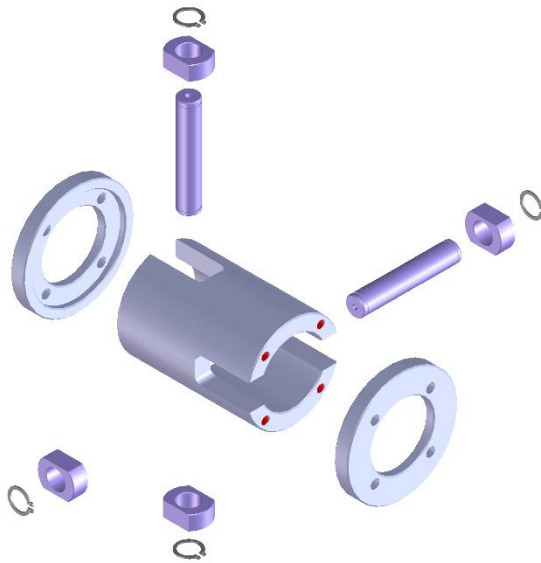
PB	CODE
35	DA02668
51	DA02745

COUPLING FOR BUNDLE




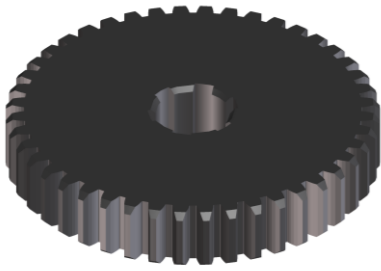


DA04083-A

CONNECTION COUPLING



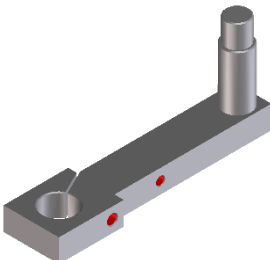
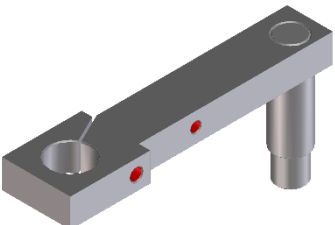
DA04701 - DA04703

GRIPPER JAWS UNIT

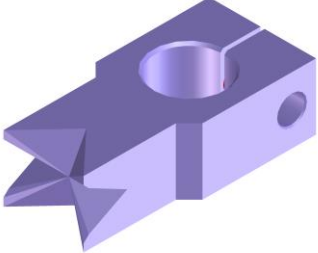
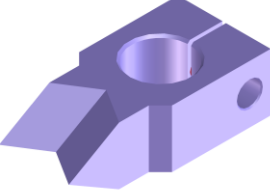
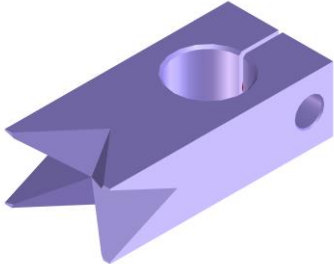
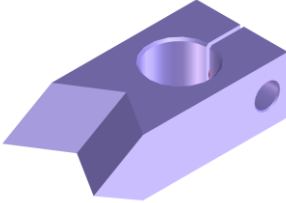
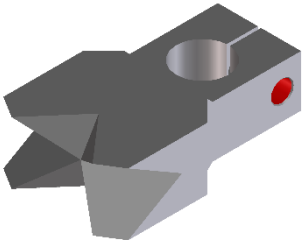
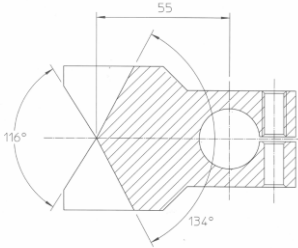
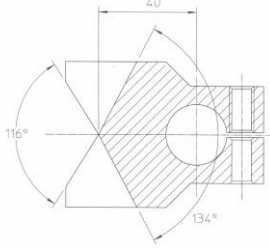
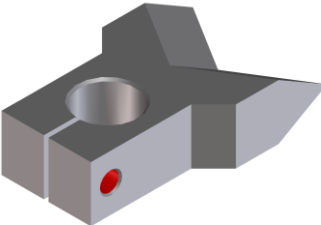
	
<p>BROACHED MOTOR GEAR Z22 GE05162</p>	<p>GRIPPER GEAR Z44 GE00300</p>
	
<p>BROACHED MOTOR GEAR WITH KEY Z22 GE00845</p>	<p>HYDRAULIC MOTOR</p>

CODE	DISPLACEMENT
BLT-CC-000025	250
BLT-CC-000058	400
BLT-CC-000057	125

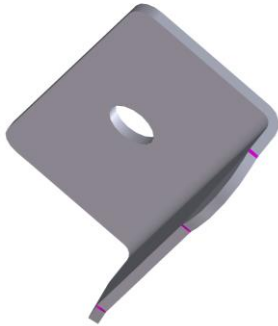
ARMS HOLDING JAWS

	
<p>UPPER L.H. DA00146</p>	<p>LOWER R.H. DA00147</p>

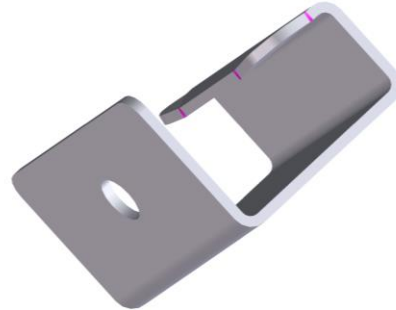
JAWS

			
<p>UPPER JAW GE01158</p>	<p>LOWER JAW GE01159</p>		
			
<p>UPPER JAW GE02632</p>	<p>LOWER JAW GE02633</p>		
			
<p>UPPER JAW</p>	<p>GE02635</p>	<p>GE02635-A</p>	
			
<p>LOWER JAW GE02634</p>			

CHAIN GUIDES FOR GRIPPER AREA



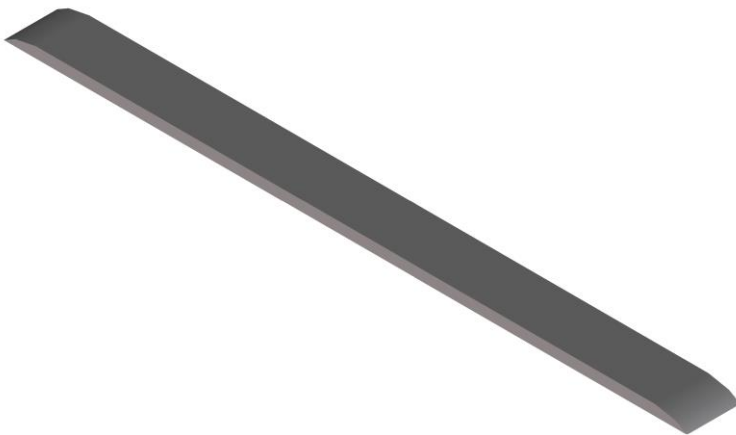
LOWER



UPPER

CHAIN GUIDES FOR GRIPPER AREA DOWEL GS01676-A	TI02270-A TI02271	LOWER UPPER
CHAIN GUIDES FOR GRIPPER AREA DOWEL GS01213	TI02567 TI04547-B	LOWER UPPER
CHAIN GUIDES FOR GRIPPER AREA DOWEL GS02376	TI02567 TI04547-B	LOWER UPPER
CHAIN GUIDES FOR GRIPPER AREA DOWEL GS01213-A	TI02567 TI06886	LOWER UPPER
CHAIN GUIDES FOR GRIPPER AREA PB. 64	TI06301 TI04547	LOWER UPPER
CHAIN GUIDES FOR GRIPPER AREA CHAIN GUIDES FOR GRIPPER AREA	TI04327 TI05042-E	LOWER FOR DAVENPORT UPPER FOR TORNOS SAS 16

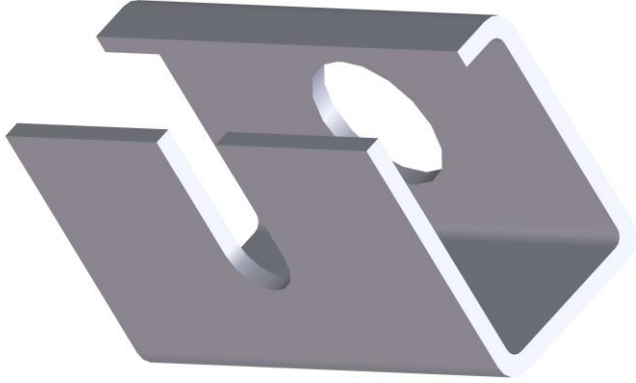
FLAT STEEL STRIP

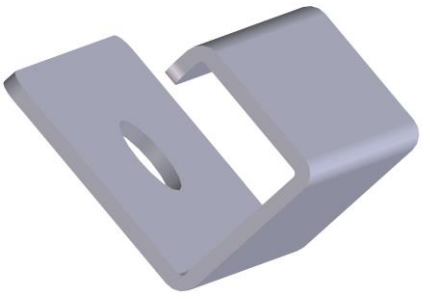


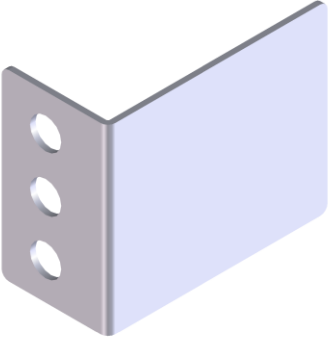
TYPE	LENGTH
A	275
B	320
C	500
D	400

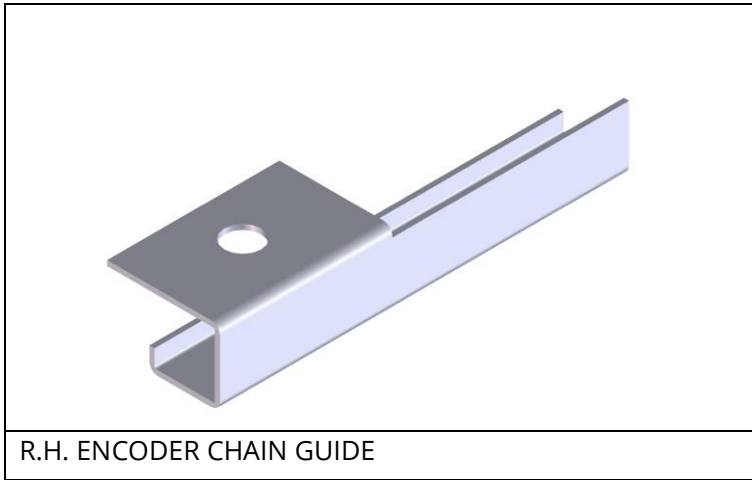
TI06875

CHAIN GUIDES FOR DRUM AND REAR DRUM FOR STANDARD LOADERS

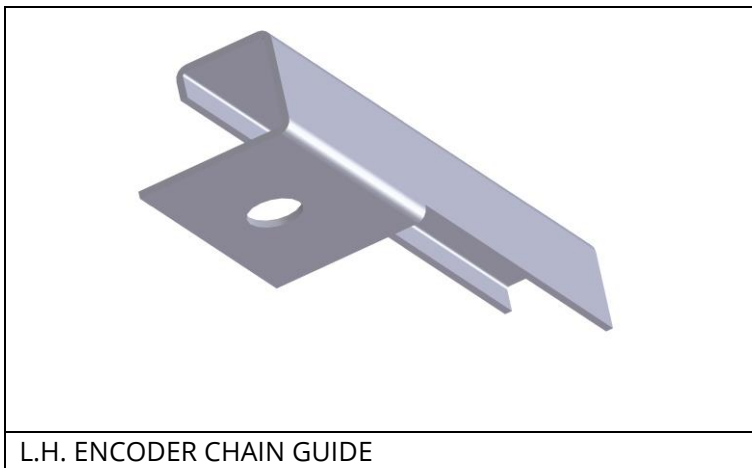
	FLAT	CHAIN GUIDE
	20mm	TI13154-B
	25mm	TI13154
	30mm	TI02374
	LATHE	CHAIN GUIDE
	GILD. AS/GS/GM16/GM20	TI06657
	MORI SAY 6/20	TI06107
"C" CHAIN GUIDE	SCHUETTE AG20	TI06107

	FLAT	CHAIN GUIDE
	20mm	TI02037
	25mm	TI02036
	30mm	TI02488
"C" CHAIN GUIDE SHORT		

	FLAT	CHAIN GUIDE
	20mm	TI13153-B
	25mm	TI13153-A
	30mm	TI02374-A
	MACHINE	CHAIN GUIDE
	GILD. AS/GS/GM20	TI06543
	TORNOS SAS16	TI05795
	SCHUETTE AG20	TI05795
"L" CHAIN GUIDE	GM 16	TI05795

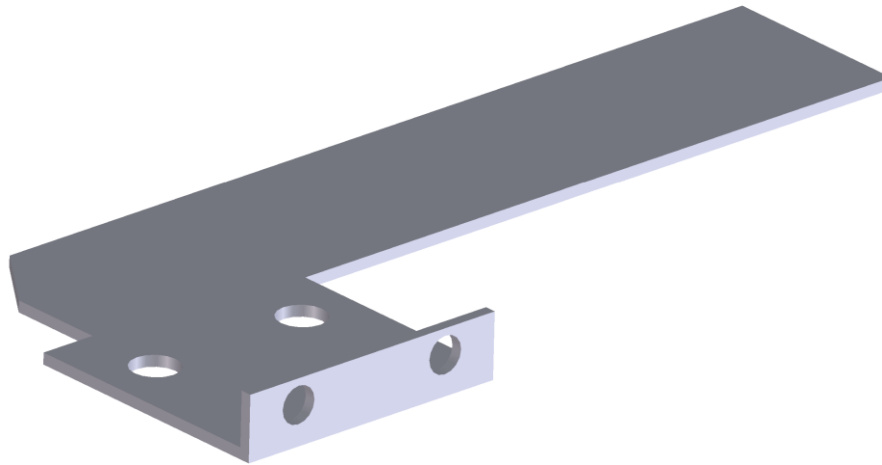


FLAT	CHAIN GUIDE
20mm	T102171
25mm	T102170
30mm	T102485



FLAT	CHAIN GUIDE
20mm	T102172
25mm	T102173
30mm	T102486

BLADES



LATHE	MODEL	PB	BLADE
ACME	1" FOR USA	30	GS07560
ACME	1"-6	30	GS01563
ACME	1"RA6	30	GS03810
ACME	1-1/4" 6M	22	GS08730
ACME	1-1/4" RA6	24	GS07451
ACME	1-1/4" RA6	30	GS06178
ACME	1-1/4" RA6	35	GS05511
ACME	1-1/4" RA6 COMPRESSED	38	GS04361-A
ACME	1-1/4" RA6 COMPRESSED	38	GS07366
ACME	1-1/4" RA6 COMPRESSED	40	GS04361-A
ACME	1-1/4" RA6 COMPRESSED	40	GS07366
ACME	1-1/4" RA6 COMPRESSED	43	GS04361-A
ACME	1-1/4" RA6 COMPRESSED	43	GS07366
ACME	1-1/4" RAN-6	38	GS04361-A
ACME	1-1/4" RAN-6	38	GS18796
ACME	1-1/4" RB6	38	GS01298-A
ACME	1-1/4" RB8	30	GS06187
ACME	1-1/4" RB8	30	GS06187
ACME	1-1/4" RB8M	38	GS04690
ACME	1-5/8"	22	GS08730
ACME	1-5/8"	30	GS05682
ACME	1-5/8"	35	GS08317
ACME	1-5/8"	52	GS04612
ACME	1-5/8" RA6	38	GS03401
ACME	1-5/8" RA6	38	GS03401

LATHE	MODEL	PB	BLADE
ACME	1-5/8" RA6	40	GS04361-A
ACME	1-5/8" RA6	40	GS04361-A
ACME	1-5/8" RB8	35	GS05511
ACME	1-5/8" RBN 8M	45	GS04725
ACME	1-5/8"	20	GS06428
ACME	16" mmRN6	20	GS01562
ACME	1-9/16"	20	GS01562
ACME	2- 5/8" RB6 COMPRESSED	60	GS04842
ACME	2" BR6	62	GS02729-B
ACME	2"RA6	56	GS02729-A
ACME	2"RB6	42	GS04361-A
ACME	2"RB6	60	GS05853
ACME	2"RB6	62	GS02729-A
ACME	2-5/8" 6 AN	60	GS04842-A
ACME	2-5/8" RB8 COMPRESSED	72	GS07925
ACME	3/4" 8M	24	GS04686
ACME	5/8"	16	GS8052-A
ACME	5/8"	20	GS06428
ACME	5/8"RA6	20	GS01562
ACME	9/16"	16	GS07489
ACME	9/16"	20	GS07489
ACME	9/16" COMPRESSED	15	GS06428
BSA	1"BRAN6	30	GS01563
BSA	AF70 6M	72	GS07492
BSA	AUTOFLEX 50 6M	32	GS05682
DAVENPORT	DAVENPORT	14	GS03711-D
DAVENPORT	DAVENPORT	15	GS03711
DAVENPORT	DAVENPORT	15	GS03711-D
DAVENPORT	DAVENPORT	20	GS02456
DAVENPORT	DAVENPORT	20	GS02456-A
DAVENPORT	DAVENPORT	24	GS02458
DAVENPORT	DAVENPORT	24	GS02458-A
DAVENPORT	DAVENPORT 5M	15	GS07580
DAVENPORT	DAVENPORT 5M SERVO B	16	GS07580
DAVENPORT	DAVENPORT 5M 2/7/01	15	GS07580-A
DAVENPORT	DAVENPORT 5M LIGHT DRUM	20	GS06995
DAVENPORT	DAVENPORT LIGHT DRUM	24	GS07197
GILDEMEISTER	AA32 8M	35	GS02439
GILDEMEISTER	AA32 8M	40	GS02166
GILDEMEISTER	AA48 8M	38	GS02979
GILDEMEISTER	AA48 8M	45	GS02979-A
GILDEMEISTER	AA48 8M	52	GS02916
GILDEMEISTER	AA48.8	56	GS04881

LATHE	MODEL	PB	BLADE
GILDEMEISTER	AA48.8	60	GS04881
GILDEMEISTER	AS16	24	GS01436
GILDEMEISTER	AS20	15	GS03883
GILDEMEISTER	AS20	15	GS05922
GILDEMEISTER	AS20	30	GS01401
GILDEMEISTER	AS20 - GM20	24	GS01436
GILDEMEISTER	AS25	32	GS01401
GILDEMEISTER	AS25	33	GS01802
GILDEMEISTER	AS25	35	GS01802
GILDEMEISTER	AS28	30	GS06187
GILDEMEISTER	AS32	20	GS05080
GILDEMEISTER	AS32	24	GS04299
GILDEMEISTER	AS32	24	GS05799
GILDEMEISTER	AS32	30	GS06187
GILDEMEISTER	AS32	32	GS01401
GILDEMEISTER	AS32	35	GS01802
GILDEMEISTER	AS32	35	GS06189
GILDEMEISTER	AS32	40	GS01298-A
GILDEMEISTER	AS40-6	48	GS01224-B
GILDEMEISTER	AS48	40	GS01298-A
GILDEMEISTER	AS48	40	GS04970
GILDEMEISTER	AS48	48	GS01224-B
GILDEMEISTER	AS48	50	GS01224-B
GILDEMEISTER	AS48	50	GS07660
GILDEMEISTER	AS48	52	GS07660
GILDEMEISTER	AS48	56	GS02729-A
GILDEMEISTER	AS48	58	GS06058
GILDEMEISTER	AS67	60	GS02375-A
GILDEMEISTER	AS67	72	GS04392
GILDEMEISTER	GM16AC	14	GS04007
GILDEMEISTER	GM16AC	14	GS04007
GILDEMEISTER	GM16AC	15	GS04007-B
GILDEMEISTER	GM16AC	15	GS04007-TRIS
GILDEMEISTER	GM16AC	16	GS04007-A
GILDEMEISTER	GM16AC	16	GS06110
GILDEMEISTER	GM16AC	20	GS06211
GILDEMEISTER	GM16AC COMPRESSED	20	GS04168 *
GILDEMEISTER	GM20 VAR25	15	GS03883
GILDEMEISTER	GM20/25	30	GS01401
GILDEMEISTER	GM26 8M	24	GS07367
GILDEMEISTER	GM26AC	30	GS01401
GILDEMEISTER	GM26AC	30	GS01401
GILDEMEISTER	GM32	30	GS01401

LATHE	MODEL	PB	BLADE
GILDEMEISTER	GM32	35	GS01802
GILDEMEISTER	GM32	40	GS01298-A
GILDEMEISTER	GM32	35	GS06189
GILDEMEISTER	GM35	20	GS05080
GILDEMEISTER	GM35 8M	24	GS07367
GILDEMEISTER	GM35 8M	40	GS07427
GILDEMEISTER	GM35 8M AC	40	GS07427
GILDEMEISTER	GM35 AC	30	GS07040
GILDEMEISTER	GM35 AC	40	GS01298-A
GILDEMEISTER	GM35 AC	40	GS07040
GILDEMEISTER	GM35 COMPACT	40	GS01298-A
GILDEMEISTER	GM42	50	GS01224-B
GILDEMEISTER	GM42	50	GS05009
GILDEMEISTER	GM67 3M	71	GS07086
GILDEMEISTER	GS20	15	GS03883
GILDEMEISTER	GS20	24	GS01436
GILDEMEISTER	GS20	24	GS01436-BIS
GILDEMEISTER	GS20	30	GS01401
GILDEMEISTER	GS20 COMPRESSED	20	GS01534
GILDEMEISTER	GS25	30	GS05661 dal1996
GILDEMEISTER	GS25	35	GS01802
GILDEMEISTER	GS28 8M	27	GS03311
IMIS	AS20	24	GS01436
INDEX	KS32	38	GS01298-A
INDEX	KS50	56	GS04881
INDEX	MS25	20	GS01534
INDEX	MS25	24	GS06811
INDEX	MS25	24	GS01436
INDEX	MS25	30	GS01401
INDEX	MS25	35	GS01802
INDEX	MS25 AN	35	GS06187
INDEX	MS25	30	GS05661
INDEX	MS36	42	GS01298-A
INDEX	MS36/42	43	GS03465-B
INDEX	MS36/42	45	GS03465
INDEX	MS36/42.6	42	GS03401
INDEX	MS42	15	GS03711-B
INDEX	MS42	20	GS03711-C
INDEX	MS42C	32	GS05682
INDEX	MS42C	35	GS05511
INDEX	MS42C	41	GS04361-A
INDEX	MS42C	42	GS04361-A

LATHE	MODEL	PB	BLADE
INDEX	MS42C	43	GS04361-A
INDEX	MS42C	44	GS03465-B
INDEX	MS42C	45	GS03465-B
INDEX	MS42C	30	GS07220
MITSUBISHI	ACME 32 N	35	GS02439-BIS-B
MITSUBISHI	ACME 41 MRB	35	GS02439-BIS-B
MITSUBISHI	HP16 6M	20	GS05108
MITSUBISHI	M-A16	20	GS06210
MIYANO	G6-26	30	GS01401
MIYANO	G6-26N	20	GS01534
MIYANO	MT6B32	16	GS03883
MIYANO	MT6B32	35	GS01802
MORI SAY	6/20	15	GS05922
MORI SAY	6/20	20	GS01534
MORI SAY	6/20	20	GS06210
MORI SAY	6/20	24	GS05930
MORI SAY	6/25	20	GS01534
MORI SAY	6/25	30	GS01401
MORI SAY	6/32	24	GS05799
MORI SAY	6/32	32	GS06187
MORI SAY	6/32	35	GS01802
MORI SAY	6/32	35	GS05511
MORI SAY	6/32	35	GS07436
MORI SAY	6/32	38	GS04361-A
MORI SAY	6/32	40	GS04361-A
MORI SAY	6/32	42	GS04361-A
MORI SAY	6/32	45	GS12563
MORI SAY	6/32	48	GS05009
MORI SAY	6/32	50	GS01224-B
MORI SAY	6/32	40	GS01298-A
MORI SAY	6/32 VAR42	50	GS01224-B
MORI SAY	6/32 VAR42	50	GS05009
MORI SAY	6/42	50	GS01224-B
MORI SAY	6/42	50	GS01224-B
MORI SAY	8/32	20	GS05080
MORI SAY	8/32	24	GS05799
MORI SAY	8/32	32	GS02162
MORI SAY	8/32	35	GS07436
MORI SAY	8/32	38	GS03401
MORI SAY	8/32	40	GS03401
MORI SAY	8/32 8M	30	GS06187
MORI SAY	8/32	40	GS07311

LATHE	MODEL	PB	BLADE
MORI SAY	8/32	35	GS01802
MORI SAY	8/32 VAR42	50	GS01224-B
MORI SAY	8/32 VAR42	50	GS06962
MORI SAY	8/42	50	GS01224-B
MORI SAY	8/42	50	GS06962
MORI SAY	TM 626	30	GS01401
MORI SAY	TM 626	32	GS01401
NEW BRITAIN	1- 1/4" MOD.52	20	GS01534
NEW BRITAIN	1- 1/4" MOD.52	24	GS04299
NEW BRITAIN	1- 1/4" MOD.52	35	GS01802
NEW BRITAIN	1- 1/4" MOD.52	38	GS02827
NEW BRITAIN	1- 1/4" MOD.52	44	GS03663
NEW BRITAIN	1- 5/8" MOD.61	24	GS02978
NEW BRITAIN	1- 5/8" MOD.61	38	GS02979
NEW BRITAIN	1 5/8"MOD.60	30	GS02866
NEW BRITAIN	1" MOD.51	32	GS01401
NEW BRITAIN	2- 1/4" MOD.62	38	GS05167
NEW BRITAIN	2- 1/4" MOD.62	40	GS04970
NEW BRITAIN	2- 1/4" MOD.62	40	GS04970
NEW BRITAIN	2- 1/4" MOD.62	50	GS05222
NEW BRITAIN	2- 1/4" MOD.62	60	GS03860
NEW BRITAIN	2- 1/4" MOD.62	62	GS03860
NEW BRITAIN	81 8M	38	GS02827
NEW BRITAIN	817	52	GS01224-B
NEW BRITAIN	NEW BRITAIN	15	GS03883
PITTLER	DAM 6x32	30	GS06187
PITTLER	DAM 6x33	24	GS04299
PITTLER	DAM 6x33	38	GS01298-A
PITTLER	DAM 6x51 - 50	60	GS02375-B
PITTLER	DAM 6x51 - 50	62	GS02375-B
PITTLER	DAM 6x82	56	GS05094
PITTLER	DAM 6x82	60	GS05094
PITTLER	DAM 6x82	70	GS05093
PITTLER	DAM 6x82	72	GS05093
PITTLER	DAM 8x32	24	GS04299
PITTLER	DAM 8x32	30	GS04299
PITTLER	DAM 8x32	32	GS06925 INT.42
PITTLER	DAM 8x33	24	GS04299
PITTLER	DAM 8x33	30	GS06187
PITTLER	DAM 8x33	40	GS01298-A
PITTLER	DAM 8x33 AN	35	GS04588 INT.42
PITTLER	PRB32 6M	35	GS13242-C
PITTLER	PRB32/36 6M	40	GS04690

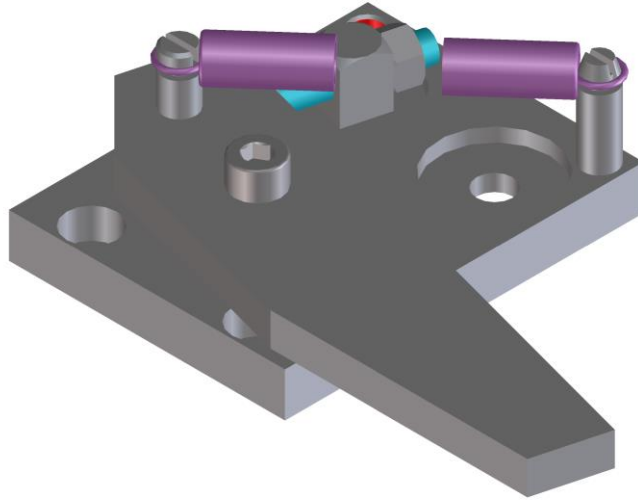
LATHE	MODEL	PB	BLADE
PITTLER	PRB32/36 6M	43	GS04725
PITTLER	PRC25 8M	24	GS05138
PITTLER	PRC25 8M	24	GS06056
PITTLER	PRC25 8M	30	GS01563
PITTLER	PRC25 8M	20	GS07754
PITTLER	PRC25 8M	30	GS5664
PITTLER	PRC25 8M	32	GS5664
PITTLER	PRC32 8M	30	GS03810
PITTLER	PRC32 8M	35	GS05511
PITTLER	PRC32 8M	35	GS2439-BIS-B
PITTLER	PRC50 6M	60	GS04842
PITTLER	PRC50 6M	50	GS7660
PITTLER	PRC50 8M	35	GS2439-BIS-A
PITTLER	PRC50 8M	62	GS7774
PITTLER	PRC60 8M	72	GS7781
PITTLER	TORNOS SAS 226	32	GS2439
PITTLER	TORNOS SAS26	42	GS6233
S&M	S&M 654 L	38	GS02827
SCHIMADA	SCHIMADA	24	GS1436
SCHIMADA	SCHIMADA	30	GS01401
SCHUETTE	A36PC	45	GS03465-B
SCHUETTE	AD40 8M	40	GS01298-A
SCHUETTE	AD40 8M / 4	35	GS6189 DOWEL alto
SCHUETTE	AD40 8M/ 42	50	GS01224-B
SCHUETTE	AF26/32 8M	20	GS05080
SCHUETTE	AF26/32 8M	24	GS04299
SCHUETTE	AF26/32 8M	30	GS2162 carica 8^
SCHUETTE	AF26/32 8M	30	GS4482 carica 7^
SCHUETTE	AF26/32 8M	32	GS2162 carica 8^
SCHUETTE	AF26/32 8M	32	GS4482 carica 7^
SCHUETTE	AF26/32 8M	35	GS01802
SCHUETTE	AF26/32 8M	35	GS2439
SCHUETTE	AF26/32 8M	38	GS02827
SCHUETTE	AF26/32 8M	38	GS03401
SCHUETTE	AF26/32 8M	38	GS06027
SCHUETTE	AF26/32 8M	38	GS2439
SCHUETTE	AF26/32 8M	40	GS06027
SCHUETTE	AF26/32 8M	42	GS03401
SCHUETTE	AF32 8M	24	GS04299
SCHUETTE	AF32 8M	35	GS07436
SCHUETTE	AF32 8M FAS	30	GS06187
SCHUETTE	AF32 8M FAS	32	GS06187
SCHUETTE	AF32 8M S D	20	GS01534
SCHUETTE	AF32 8M S D	30	GS01401

LATHE	MODEL	PB	BLADE
SCHUETTE	AF32S DNT 8	24	GS05958
SCHUETTE	AF42 8M	35	GS05862
SCHUETTE	AF42 8M	42	GS04970
SCHUETTE	AF42 8M	50	GS05222
SCHUETTE	AF42.8M	50	GS02916
SCHUETTE	AF51 8M	24	GS05016
SCHUETTE	AF51 8M	42	GS04970
SCHUETTE	AF51 8M	60	GS03860
SCHUETTE	AF51S DNT 8	62	GS04881
SCHUETTE	AG20 8M	16	GS07628
SCHUETTE	AG20 8M	20	GS06816
SCHUETTE	AG20 8M	24	GS06811
SCHUETTE	S32 PC	32	GS05682
SCHUETTE	S32 PC	35	GS05682
SCHUETTE	S32 PC	35	GS06925-A
SCHUETTE	S32PC	42	GS04361-A
SCHUETTE	S36PC	45	GS03465-B
SCHUETTE	S51 PC	60	GS04842
SCHUETTE	S51 PC + BUNDLE	56	GS08138
SCHUETTE	S51 PC	40	GS08517
SCHUETTE	S51 PC	42	GS08517
SCHUETTE	SD25	30	GS01401
SCHUETTE	SD32	32	GS04108
SCHUETTE	SD32	35	GS01802
SCHUETTE	SD32	35	GS01802
SCHUETTE	SD32	35	GS06189
SCHUETTE	SD32	40	GS01298-A
SCHUETTE	SD32	24	GS04299
SCHUETTE	SD50	60	GS02375-A
SCHUETTE	SD50 6M	51	GS04416
SCHUETTE	SD50 6M	56	GS02729-A
SCHUETTE	SD63	72	GS04392
SCHUETTE	SD80 6M	84	GS08670
SCHUETTE	SE16	15	GS03883
SCHUETTE	SE16	20	GS01534
SCHUETTE	SE16	20	GS01534-A
SCHUETTE	SE16 SE18	24	GS01436
SCHUETTE	SE16 SE18	24	GS05016
SCHUETTE	SE18	20	GS06816
SCHUETTE	SE25	15	GS03883
SCHUETTE	SE25	20	GS01534
SCHUETTE	SE25	25	GS01436
SCHUETTE	SE25	30	GS01401
SCHUETTE	SE25	30	GS07675

LATHE	MODEL	PB	BLADE
SCHUETTE	SF13	15	GS05922
SCHUETTE	SF13 6M	20	GS06816
SCHUETTE	SF20	20	GS01534
SCHUETTE	SF20 VW	24	GS01436
SCHUETTE	SF20S	24	GS01436
SCHUETTE	SF26S	30	GS01401
SCHUETTE	SF32	24	GS05799
SCHUETTE	SF32	35	GS07436
SCHUETTE	SF32	40	GS01298-A
SCHUETTE	SF32	35	GS06189
SCHUETTE	SF32DNT	35	GS01802
SCHUETTE	SF32S	44	GS03465-C
SCHUETTE	SF32S	45	GS03465-C
SCHUETTE	SF32S DNT	42	GS01298-A
SCHUETTE	SF36/40 6M	35	GS05862
SCHUETTE	SF40	24	GS05799
SCHUETTE	SF40	48	GS01224-B
SCHUETTE	SF40	50	GS01224-B
SCHUETTE	SF51	60	GS02375-B
SCHUETTE	SF51	56	GS02375-B
SCHUETTE	SF51	60	GS02375-B
SCHUETTE	SF51 6M	56	GS02729-A
SCHUETTE	SF51	40	GS05768
SCHUETTE	SF67	72	GS04392
SCHUETTE	SG18 6M	20	GS06816
TORNOS	AS14	15	GS05084
TORNOS	AS14	20	GS05004
TORNOS	BS14 8M / 20	15	GS05922
TORNOS	BS14 8M / 20	16	GS05922
TORNOS	BS14 8M / 20	20	GS06210
TORNOS	BS20 8M	24	GS02169
TORNOS	BS20 8M	24	GS06811
TORNOS	BS20 8M	30	GS05912
TORNOS	CNC 632 2 VIT	35	GS01802
TORNOS	CNC632	38	GS02827
TORNOS	MULTIDECO	16	GS07580-A
TORNOS	MULTIDECO	24	GS07197
TORNOS	SAS16	16	GS05084
TORNOS	SAS16 6M	20	GS05004
TORNOS	SAS16 DC	20	GS05361
WICKMAN	1- 1/4" 8M	38	GS02827
WICKMAN	1- 3/4"	32	GS06187
WICKMAN	1- 3/4"	35	GS07436
WICKMAN	1- 3/4"	50	GS01224-A

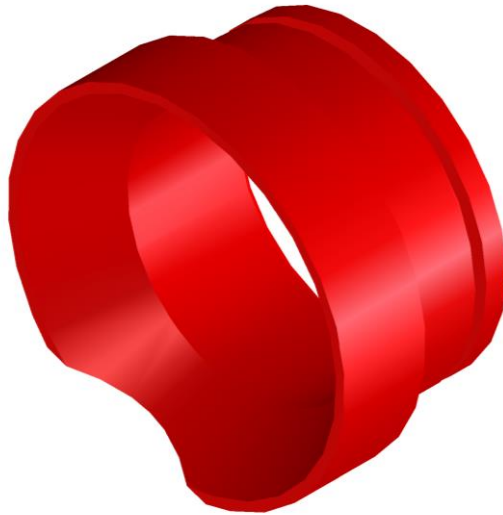
LATHE	MODEL	PB	BLADE
WICKMAN	1- 3/4"	50	GS01224-B
WICKMAN	1- 3/4"	50	GS05009
WICKMAN	1- 3/4"	51	GS01224-B
WICKMAN	1- 3/4" 8M	38	GS02827
WICKMAN	1- 3/8"	38	GS01298-A
WICKMAN	1"	24	GS01436
WICKMAN	1"	30	GS01483
WICKMAN	1"	20	GS01534
WICKMAN	1"	30	GS01401
WICKMAN	1" OVERSIZE	35	GS01802
WICKMAN	1" OVERSIZE	38	GS02827
WICKMAN	1"8M	30	GS02854
WICKMAN	1"8M (32.8M)	38	GS02827
WICKMAN	2- 1/4"	60	GS02375-A
WICKMAN	2- 1/4"	64	GS04899
WICKMAN	2- 5/8"	72	GS04392
WICKMAN	3- 1/4"	84	GS13399
WICKMAN	3- 1/4"	95	GS16371
WICKMAN	5/8" OLD	20	GS01275
WICKMAN	5/8"	15	GS03883
WICKMAN	5/8"	20	GS01534
WICKMAN	ACW35	35	GS05511

NO OVERLAPPING BAR SYSTEM



DA04262

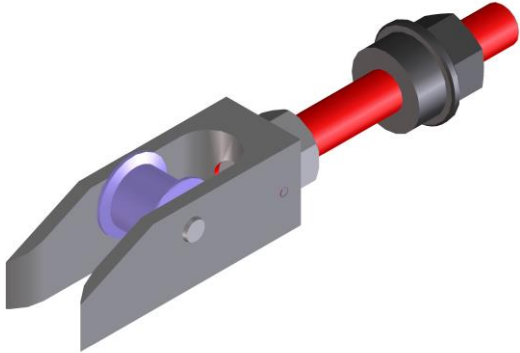
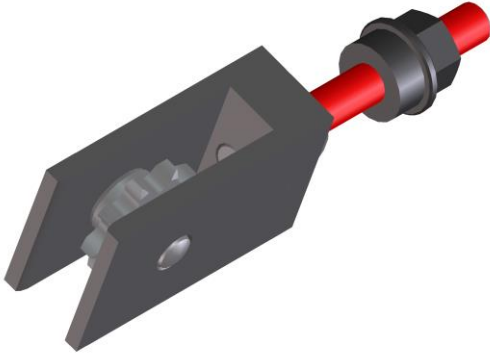
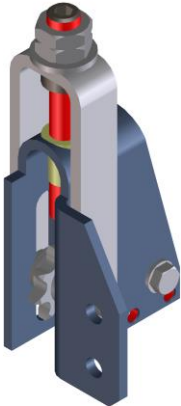

BUSHING FOR FRONT FLANGE



TPE08928

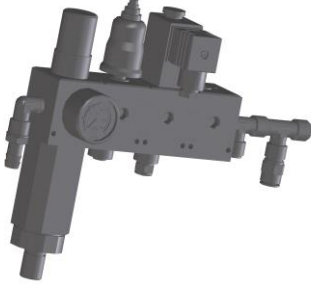






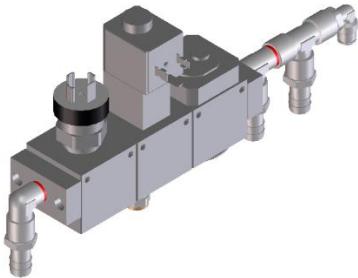
PB	CODE	LATHE
16-20-24	PM18728	FOR SCHUETTE SG18
35	PM10548	FOR INDEX MS32
38	PM06382	FOR SCHUETTE AG20

CHAIN TENSIONER

	
<p>DA04378</p>	<p>DA03713</p>
	
<p>DA03646</p>	<p>DA03646-A</p>

DESCRIPTION	CODE
CHAIN	BLT-CC-000064
CHAIN LINKS	BLT-CC-009474

PNEUMATIC UNIT

	
<p>ADJUSTER + PRESSURE GAUGE + 3 WAYS VALVES + PROGRESSIVE STARTER – G1/4" BLT-CC-00322</p>	<p>FRL UNIT + LUBRICATION SYSTEM – G3/8" BLT-CC-009475</p>
	
<p>FILTER REGULATOR G3/8" WITH MANOMETER BLT-CC-009476</p>	<p>ADJUSTER + PRESSURE GAUGE + 3 WAYS VALVES – G1/4" – FOR MULTI F BLT-CC-009477</p>
	
<p>NA PRESSURE GAUGE BLT-CC-001220</p>	<p>NC PRESSURE GAUGE BLT-CC-009496</p>
	
<p>SC PRESSURE GAUGE FOR VT 78310/ VT 110 BLT-CC-009478</p>	<p>PROGRESSIVE STARTER + 3 WAYS VALVES + PRESSURE GAUGE BLT-CC-009479</p>

		
<p>MONOSTABLE VALVE BLT-CC-009480</p>	<p>BISTABLE VALVE BLT-CC-001093</p>	<p>SOLENOID 24VDC BLT-CC-000869</p>
		
<p>SOLENOID 110VDC BLT-CC-009482</p>	<p>SLIM MONOSTABLE VALVE BLT-CC-009483</p>	<p>SLIM BISTABLE VALVE BLT-CC-009484</p>
		
<p>TIE ROD 1 POSITIN BLT-CC-009485</p>	<p>TIE ROD 3 POSITION BLT-CC-009486</p>	

HYDRAULIC UNIT

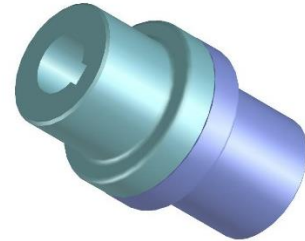
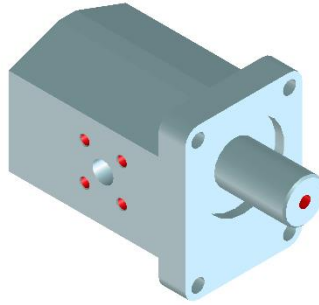
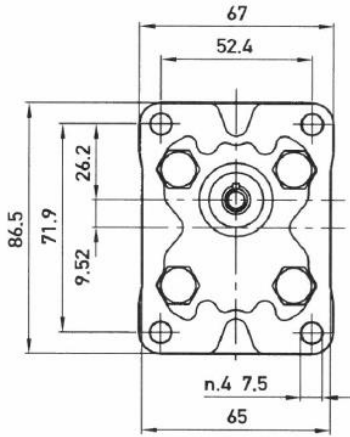
MOTORS



POS.	DESCRIPTION	CODE	
1	GASKETS BONDED SEAL 3/8	BLT-CC-000189	
2	MOTOR FITTING	BLT-CC-000068	
3/4	MOTOR TUBE	BLT-CC-000078	LENGTH 370
		BLT-CC-000079	LENGTH 378
		BLT-CC-000080	LENGTH 250
		BLT-CC-000081	LENGTH 300
		BLT-CC-000082	LENGTH 450
5	MOTOR	SEE BELOW CHART	

CODE	DISPLACEMENT
151G0027	FROM 12.5
BLT-CC-000060	FROM 20
BLT-CC-000340	FROM 32
BLT-CC-000059	FROM 50
BLT-CC-000588	FROM 20 TYPE OML

PUMPS GROUP 1

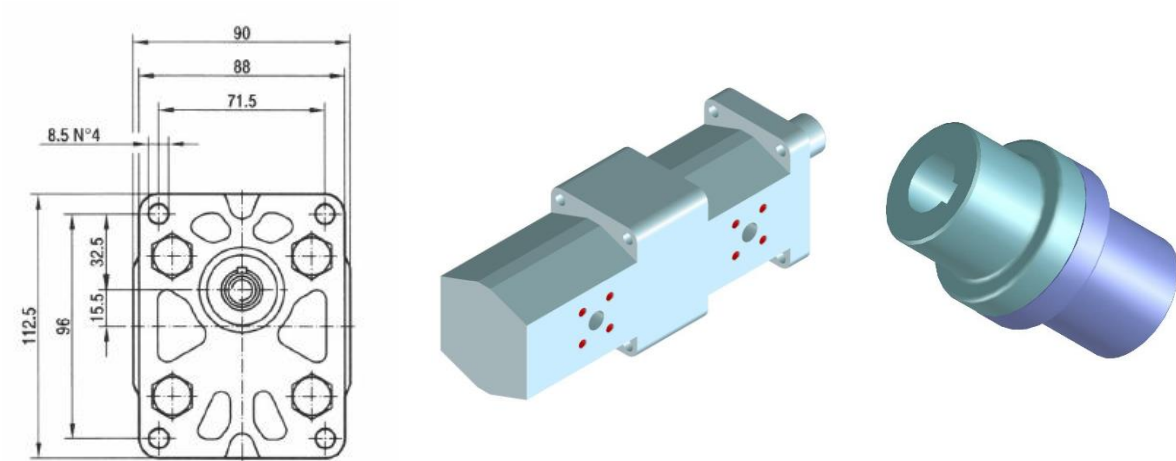


BLT-CC-001596

SINGLE BAR FEED	
N°1 PUMP	BLT-CC-001602
N°1 COUPLING	BLT-CC-001603
N°1 COUPLING	BLT-CC-001604

DOUBLE BAR FEED AND/OR SINGLE BAR FEED WITH BUNDLE	
N°1 PUMP	BLT-CC-001611
N°2 COUPLING	BLT-CC-001603
N°2 COUPLING	BLT-CC-001604

PUMPS GROUP 2



BLT-CC-009984

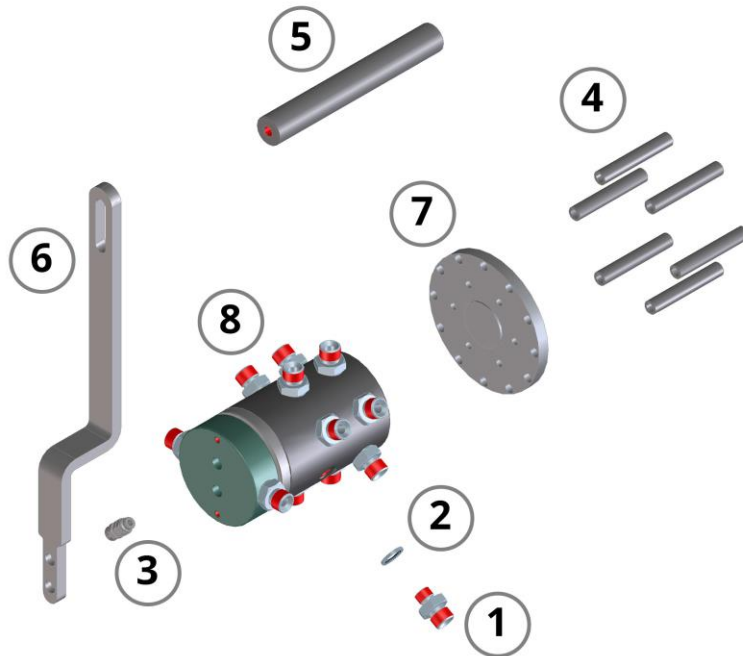
DOUBLE BAR FEED AND/OR SINGLE BAR FEED WITH BUNDLE	
N°1 PUMP	BLT-CC-009487
N°2 COUPLING	BLT-CC-009488
N°2 COUPLING	BLT-CC-009489

FILTERS

		
<p>STAUFF CARTRIDGE FOR PROPORTIONAL FILTER BLT-CC-009481 <i>Note: for the Stauff filter holder refer to the next pictures BLT-CC-006490 AND BLT-CC-006491</i></p>	<p>R.H. PROPORTIONAL FILTER BLT-CC-006490</p>	<p>L.H. PROPORTIONAL FILTER BLT-CC-006491</p>
		
<p>UFI CARTRIDGE FOR PROPORTIONAL FILTER BLT-CC-009490</p>	<p>CARTRIDGE FOR POWER PACK FILTER BLT-CC-009492</p>	<p>CARTRIDGE FOR POWER PACK FILTER BLT-CC-009491</p>
		
<p>GAUGE FOR POWER PACK FILTER BLT-CC-007502</p>	<p>CARTRIDGE FOR FILTER BLT-CC-009493</p>	

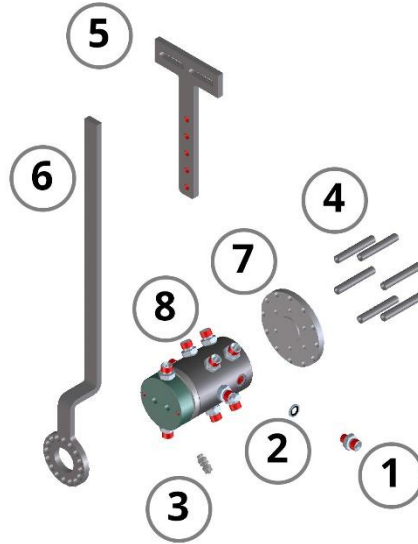
DISTRIBUTOR

OLD MODEL



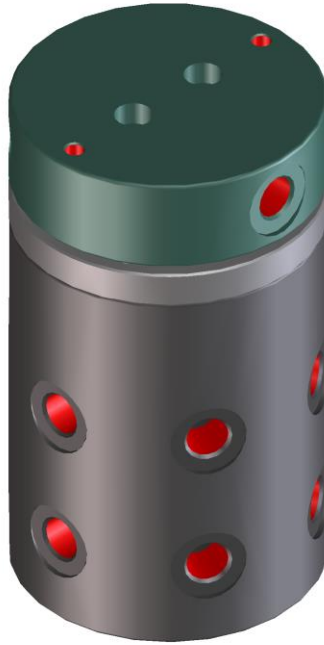
POS.	DESCRIPTION	CODE	NOTES
1	DISTRIBUTOR FITTING	BLT-CC-000161	
2	GASKET BONDED SEAL 1/4	BLT-CC-000187	
3	OIL DISCHARGE FITTING	BLT-CC-000188	
4	SPACERS FOR FLANGES	CU02044-A + BR8X100	
5	SPACERS FOR THE PHASE	CU02049-E	
6	DISTRIBUTOR LEVEL	CU12407	
7	DISTRIBUTOR HOLDING FLANGE	CU14198	REFER TO DISTRIBUTOR FLANGE CHART ON P. 46
8	DISTRIBUTOR		REFER TO DISTRIBUTOR CHART 6/8 SPINDLES ON P.45

NEW MODEL



POS.	DESCRIPTION	CODE	NOTES
1	DISTRIBUTOR FITTING	BLT-CC-000161	
2	GASKET BONDED SEAL 1/4	BLT-CC-000187	
3	OIL DISCHARGE FITTING	BLT-CC-000188	
4	SPACERS FOR FLANGES	CU02044-A + BR8X100	
5	BLOCK FOR THE DRIBUTOR PHASE	CU11785-D	
6	DISTRIBUTOR LEVEL	CU19774	
7	DISTRIBUTOR HOLDING FLANGE		REFER TO DISTRIBUTOR FLANGE CHART ON P. 46
8	DISTRIBUTOR		REFER TO DISTRIBUTOR CHART 6/8 SPINDLES ON P.45

DISTRIBUTOR



DISTRIBUTOR 6 SPINDLES

CODE	DESCRIPTION
DA04201	SINGLE BAR FEED
DA04202	DOUBLE BAR FEED 1-2
DA04203	DOUBLE BAR FEED 1-3
DA04204	DOUBLE BAR FEED 1-4

DISTRIBUTOR 8 SPINDLES

CODE	DESCRIPTION
DA04207	SINGLE BAR FEED
DA04210	DOUBLE BAR FEED 1-4
DA04211	DOUBLE BAR FEED 1-5

DISTRIBUTOR FLANGES CHART

CODE	CHARACTERISTICS
CU14271	Ø 180mm 16 HOLES x 8SPINDLES
CU14200	Ø 180mm 12 HOLES x 6SPINDLES
CU14201	HEXAGONAL
CU05635	Ø 150mm ALL MODEL
CU14198	Ø 120mm 12 HOLES x 6SPINDLES
CU02243	Ø 240mm 16 HOLES x 8SPINDLES
CU13129	Ø 240mm 16 HOLES x 6SPINDLES
CU05021	TORNOS SAS 16.6
CU14238	DAVENPORT

HYDRAULIC TUBES

CODE	LENGTH
BLT-CC-00482	1200mm
BLT-CC-00484	1400mm
BLT-CC-00485	2000mm
BLT-CC-00486	2500mm
BLT-CC-00487	3000mm
BLT-CC-00488	3500mm
BLT-CC-00489	4000mm
BLT-CC-00490	4500mm

MOTOR HYDRAULIC TUBES

CODE	LENGTH
BLT-CC-000080	250mm
BLT-CC-000081	300mm
BLT-CC-000082	450mm
BLT-CC-005199	320mm
BLT-CC-000078	370mm
BLT-CC-000079	378mm

FITTINGS

		
<p>LOW FITTING MALE/FEMALE 3/8 BLT-CC-005526</p>	<p>BANJIO UNION 3/8-3/8 GAS + BOLT BLT-CC-005546</p>	<p>BANJIO UNION 1/4-1/4 GAS + BOLT BLT-CC-001237</p>
		
<p>ROTARY UNION ELBOW 90 MM 3/8" BLT-CC-001607</p>	<p>LONG EXTENSION MF 3/8-3/8 BLT-CC-005506</p>	<p>ROTARY STRAIGHT FITTING M1/4"G - F3/8"G BLT-CC-005528</p>
		
<p>NIPPLO 3/8"G M CIL - 3/8GAS M CIL BLT-CC-000068</p>	<p>BONDED SEAL 3/8 BLT-CC-000189</p>	<p>BONDED SEAL 1/4 BLT-CC-000187</p>
		
<p>BONDED SEAL 1/2 BLT-CC-001239</p>		

PROPORTIONAL VALVE KIT

		
<p>SHIELDED CABLE FOR PROPORTIONAL BLT-EL-000047</p>	<p>PROPORTIONAL VALVE BLT-CC-006487</p>	<p>PROPORTIONAL PCB BLT-CC-000769</p>

HYDRAULIC VALVES



DESCRIPTION	CODE
HYDRAULIC VALVES TYPE H	BLT-CC-005362
HYDRAULIC VALVES TYPE E	BLT-CC-005363
HYDRAULIC VALVES TYPE J	BLT-CC-006488
HYDRAULIC VALVES TYPE G	BLT-CC-006484
HYDRAULIC VALVES TYPE HA	BLT-CC-005364
HYDRAULIC VALVES TYPE EA	BLT-CC-006483
HYDRAULIC VALVES TYPE EB	BLT-CC-006489
MAX/MIN PRESSURE CONTROL VALVE	BLT-CC-005361
MAX PRESSURE CONTROL VALVE	BLT-CC-006486
STOP VALVE	BLT-CC-006485

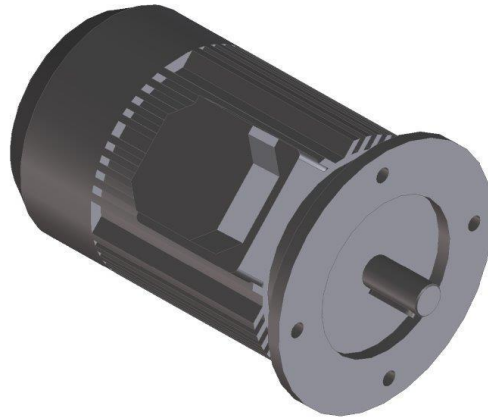
ELECTRIC EQUIPMENT

		
<p>MECHANICAL RELAY 10A BLT-EL-000763</p>	<p>SLIM STATIC RELAY BLT-EL-000018</p>	<p>SLIM MECHANIC RELAY BLT-EL-000033</p>
		
<p>UNDECAL RELAY BLT-EL-000064</p>	<p>UNDECAL BASE BLT-EL-000065</p>	<p>STATIC RELAY 2A BLT-EL-000764</p>
		
<p>OCTAL RELAY BLT-EL-000017</p>	<p>OCTAL BASE BLT-EL-000016</p>	<p>8 RELAY BOARD BLT-EL-000765</p>

		
<p>MAGNETIC TAPE BLT-CC-009466</p>	<p>OPRITAL SENSOR FOR MAGNETIC TAPE BLT-CC-009465</p>	<p>ENCODER BLT-CC-000033 FOR MULTI BLT-CC-000656 FOR INDEX</p>
		
<p>SICK BARRIER – 900MM BLT-CC-000574 BLT-CC-000575</p>	<p>SICK BARRIER – 750MM BLT-CC-000918 BLT-CC-000919</p>	<p>SICK BARRIER – 1050MM BLT-CC-001106 BLT-CC-001107</p>

		
<p>REER CABLE 8PIN 10M C8D10 BLT-EL-000059</p>	<p>REER CABLE 5PIN 0,3M CDS03 BLT-EL-000060</p>	<p>SICK CABLE M12-5PIN - 10MT BLT-CC-000577</p>
		
<p>REER CABLE 5PIN 10M CD10 BLT-EL-000058</p>	<p>SICK CONTROL UNIT BLT-EL-000115</p>	<p>BRACKET KIT (4PZ) BLT-CC-005279</p>

ELCETRIC MOTOR



CODE	DESCRIPTION
BLT-CC-004819	MOTOR 280/480 VOLT/60 HZ 2HP 1,5KW FOR USA
BLT-CC-000652	MOTOR 230/400 VOLT/50 HZ 3HP 2,2KW DOUBLE BAR FEED
BLT-CC-000653	MOTOR 230/400 VOLT/50 HZ 2HP 1,5KW

STOCK TUBE ELEMENTS



PB	CODE	DISTANCE BETWEEN CENTERS	INSERT
10	GM02819	31,5	NO
12	GM02795*	31,5	NO
12	GM10893-tab.B	29	NO
15	GM10893-tab.A* (REPLACES GM01974-A)	29	YES
15	GM03952-tab.A*	24,5	NO
16	GM03952-tab.B*	24,5	YES
16	GM10252*	31,5	YES
18	GM03607-tab.A*	31,5	NO
20	GM03955-tab.A*	24,5	NO
20	GM03955-B	24,5	YES
20	BLT-PT-001107	24,5	YES
20	GM02695 -A*	28,5	YES
20	GM02695-B*	28,5	NO
20	GM03340-tab.A*	31,5	NO
22	GM03340-tab.B	31,5	NO
20	GM13702	31,5	YES
20	GM05011-tab.A*	48	NO
20	GM05011-tab.B*	48	YES
22	GM03340-tab.B*	31,5	NO
23	GM11350*	31,5	NO
24	GM12613	31,5	YES
24	GM12613-A	31,5	NO
24	GM05013-tab.A*	48	NO
24	GM05013-tab.B*	48	YES
24	GM04295-tab.A*	41	NO

PB	CODE	DISTANCE BETWEEN CENTERS	INSERT
24	GM02696-A*	28,5	YES
24	GM02696-B*	28,5	NO
24	GM03383-tab.A*	31,5	NO
25	GM01281*	31,5	YES
26	GM03383-tab.B*	31,5	NO
30	GM03530-tab.A*	31,5	NO
30	GM05662-tab.A*	48	YES
30	GM05662-tab.B	48	NO
30	GM06005*	31,5	YES
30	GM00876*	41	YES
30	GM11811*	31,5	YES
32	GM01304*	31,5	YES
32	GM11819	31,5	YES
33	GM03305-tab.B*	41	NO
35	GM03305-tab.A*	41	NO
35	GM05793-tab.A*	48	YES
35	GM05793-tab.B*	48	NO
35	GM05357-tab.A*	41	YES
35	GM09946	41	YES
35	GM09947	48	YES
36	GM01736*	41	NO
38	GM01737-tab.A*	41	NO
38	GM03153-tab.A*	48	NO
40	GM03153-tab.B*	48	NO
40	GM03153-tab.D*	48	YES
40	GM01218*	48	YES
40	GM04399-tab.A*	55	YES
40	GM04399-tab.B*	55	NO
41	GM01737-tab.B*	41	NO
41	GM16788	48	YES
42	GM03153-tab.C*	48	NO
43	GM03156-tab.A*	48	NO
44	GM05653	41	NO
44	GM05653-A*	41	YES
44	GM03661-tab.A*	41	NO
45	GM03156-tab.B*	48	NO
45	GM01218-A* (REPLACE GM01218BIS)	48	YES
46	GM03166-tab.A*	48	NO
48	GM03166-tab.B*	48	NO

PB	CODE	DISTANCE BETWEEN CENTERS	INSERT
50	GM03166-tab.C	48	NO
50	GM12388	48	YES
50	GM01108*	48	YES
50	GM03851-A*	48	NO
50	GM03851-B*	48	YES
50	GM04398-tab.A*	55	YES
50	GM04398-tab.B*	55	NO
51	GM03166-tab.D	48	NO
52	GM13583	48	YES
53	GM03270-tab.A*	55	NO
54	GM17043	48	YES
55	GM03270-tab.B*	55	NO
55	GM03270-tab.E*	55	YES
57	GM03270-tab.C*	55	NO
60	GM03270-tab.D*	55	YES
60	GM02074*	55	YES
60	GM09954	55	YES
60	GM17670	60	YES
63	GM03271-tab.B*	55	NO
65	GM03271-tab.C	55	NO
65	GM03272-C	55	NO
67	GM03469-tab.A*	60	NO
70	GM03469-tab.B*	60	NO
70	GM03469-tab.D*	60	YES
70	GM02792*	60	YES
70	GM02792-A	60	NO
72	GM13058	65	NO
73	GM03469-C*	60	NO
75	GM13705	60	YES
76	GM03232-tab.A*	65	NO
78	GM03232-tab.B*	65	NO
80	GM13818	60	YES
80	GM03232-tab.C*	65	NO
80	GM03232-tab.D*	65	YES
95	GM16291	70	YES
100	GM12385	85	YES

COLLETS

COLLETS (UNDERCUT) FOR HEXAGONAL BARS



CODE	Ø PB	O/D	THREAD	FROM	TO	MODEL
GS11817	35	33-35	M18X1,5	33	35	UNDERCUT
GS11973		41-43	M25X1,5	33,5	40	UNDERCUT

MORSE COLLETS FOR ROUND BARS



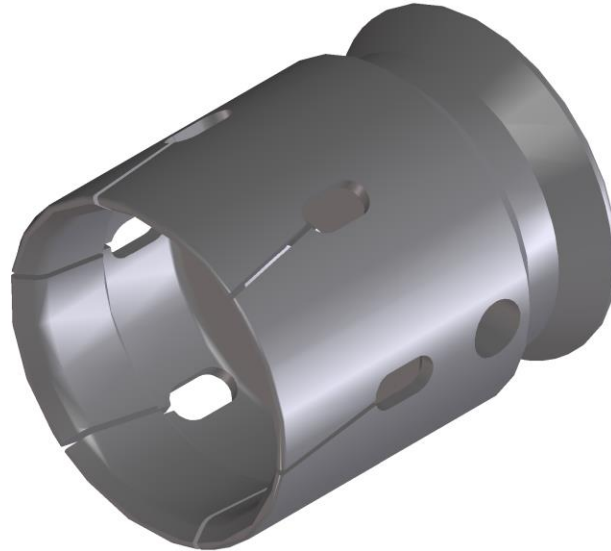
CODE	Ø PB	O/D	THREAD	FROM	TO	MODEL
GS17561		23	M14X1	20		Morse
GS19653		23	M14X1	21		Morse
GS18247		24	M14X1	21	22	Morse
GS18120		28-32	M18X1,5	25,4	29	Morse
GS17982		33-35	M18X1,5	30	33	Morse
GS17984		38-43	M25X1,5	34	39	Morse
GS18077		43-45	M25X1,5	40	43	Morse
GS17983		48-50	M30X1,5	44	48	Morse
GS19793		50-52	M30X1,5	48	49	Morse

COLLETS WITH GROOVES



CODE	Ø PB	O/D	THREAD	FROM	TO	MODEL
GS14257	20	19	M10X1	7	15	GROOVES
GS14943	20	20	M10X1	15	16	GROOVES
GS17176	24	23	M14X1	19	-	GROOVES
GS14261	24	23	M14X1	7	18	GROOVES
GS14944	24	24	M14X1	20	-	GROOVES
GS14274	30	28	M18X1,5	9	22	GROOVES
GS14947	30	29	M18X1,5	9	23	GROOVES
GS14269	32	30	M18X1,5	24	25	GROOVES
GS14286	32	32	M18X1,5	26	29	GROOVES
GS11704	35	33	M18X1,5	10	27	GROOVES
GS14945	35	34	M18X1,5	28	29	GROOVES
GS12001	38	37	M25X1,5	10	31	GROOVES
GS17168	38	37	M25X1,5	31,7	33	GROOVES
GS12304	40	38	M25X1,5	32	33	GROOVES
GS14345	41	40	M25X1,5	15	34	GROOVES
GS12717	45	42	M25X1,5	12	36	GROOVES
GS11654	45	42	M25X1,5	37	38	GROOVES
GS16691	48	46	M30X1,5	12	39	GROOVES
GS16440	48	46	M30X1,5	40	42	GROOVES
GS13468	48	48	M30X1,5	12	42	GROOVES
GS12732	48	48	M30X1,5	43	-	GROOVES
GS16846	52	52	M30X1,5	46	-	GROOVES
GS12096	60	60	M30X1,5	24	54	GROOVES
GS18208	68	68	M30X1,5	30	39	GROOVES
GS11594	68	68	M30X1,5	40	62	GROOVES
GS05782	72	72	M30X1,5	50	65	GROOVES

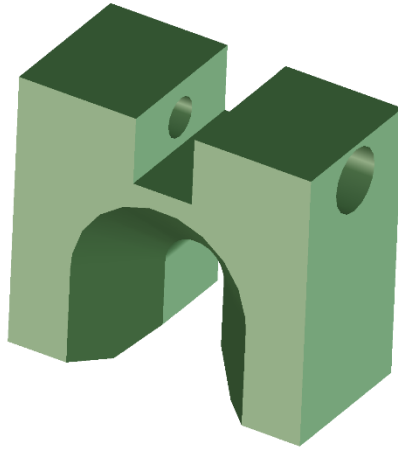
COLLETS FOR SINGLE SPINDLE LOADERS



CODE	O/D	PIN	FROM	TO	MODEL
GS12603	23,00	18	5	18	GROOVES
GS11961	28	18	6	22	GROOVES
GS13905	29	18	12	23	GROOVES
GS11688	29	18	24	26	GROOVES
GS11693	30	18	26		GROOVES
GS12101	30	18	27	28	UNDERCUT
GS11691	32	18	28		GROOVES
GS12778	33	18		27	GROOVES
GS11515	34	18		32	GROOVES
GS12214	37	20		31	GROOVES
GS12014	38	20		32	GROOVES
GS13136	38	20		35	UNDERCUT
GS11861	39	20		33	GROOVES
GS11928	39	20		34	GROOVES
GS11299	41	20	35	37	GROOVES
GS17615	42	20	10	35	GROOVES
GS17978	42	20	39	40	MORSE
GS17169	44	25	10	37	GROOVES
GS17183	44	25	38	40	GROOVES
GS17616	45	25	36	42	GROOVES

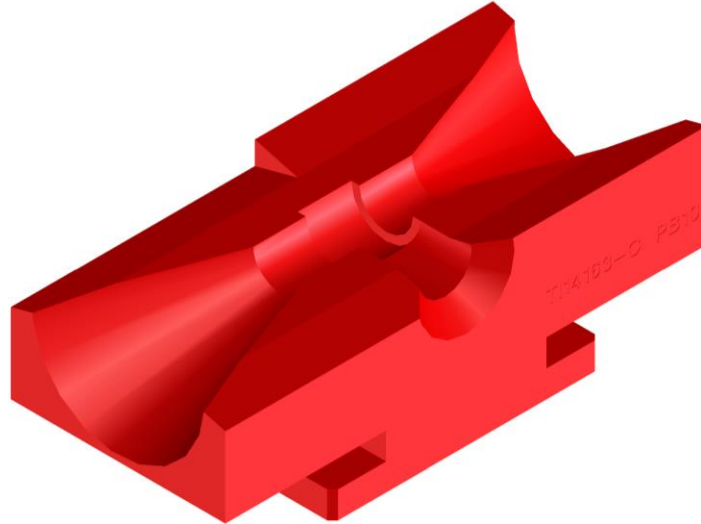
CODE	O/D	PIN	FROM	TO	MODEL
GS13050	48	25	10	41	GROOVES
GS11361	48	25	40	44	GROOVES
GS18298	48	25		45	MORSE
GS12405	51	25	45	47	GROOVES
GS12961	53	32	28	41	GROOVES
GS13791	54	32	30	46	GROOVES
GS13786	54	32		48	GROOVES
GS14008	56	32	25	40	GROOVES
GS14007	56	32		56	GROOVES
GS12432	58	32		50	GROOVES
GS12351	58	32		52	GROOVES
GS12396	60	32	20	53	GROOVES
GS12396	60,5	32	54	55	GROOVES
GS13347	62	32		56	GROOVES
GS12398	63	32		57	GROOVES
GS12526	66	32	26	58	GROOVES
GS17892	66	32		60	GROOVES
GS12629	68,5	32	61	63	GROOVES
GS17908	69,5	32		64	GROOVES
GS19325	72	32	10	64	GROOVES
GS19816	78	32	40	68	GROOVES
GS19817	82	32		74,6	GROOVES
GS18156	88	40	40	80	GROOVES
GS17721	90	40	40	83	GROOVES
GS17723	90	40	84	85	GROOVES

FORKS



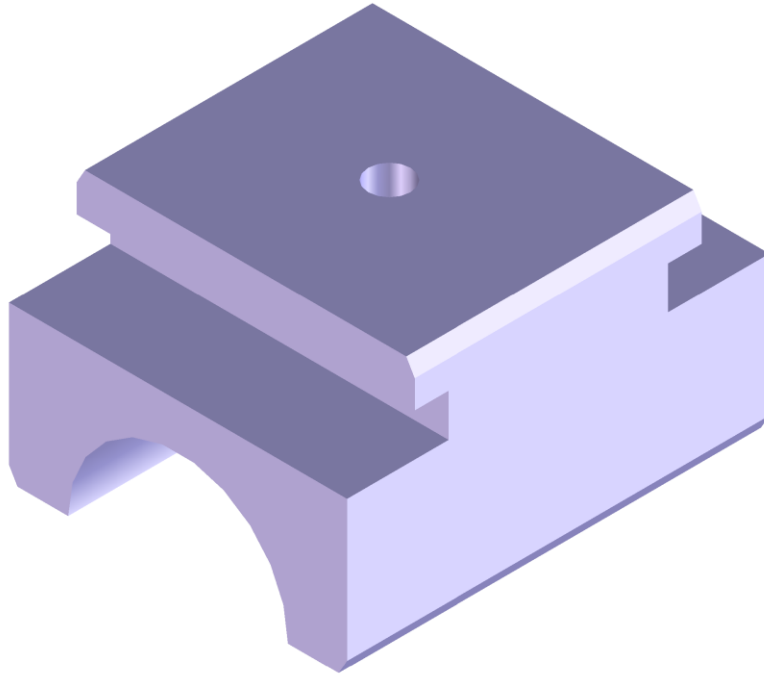
PB	CODE (DELRIN MATERIAL)	CODE (BAKELITE MATERIAL)
24	TI10969	TI19539
30	TI12246	
35	TI10885	TI19627
40	TI10784	TI19792
50	TI11308	TI19549
60	TI11471	

MULTI F VULKOLAN CHANNEL



CODE	LATHE
TI14163	GILDEMEISTER AS20 - AS20 VAR25 - GM20
	INDEX MS22 - MS25
	MORI SAY 6/25
	SCHUETTE SE16 - AG20.8 - SG18 - SCX26
TI14883	MORI SAY TMZ 6.42 - 6.32 - 8.42 - 8.32
	SCHUETTE S36PC - A36PC - AD40.8
TI16825	SCHUETTE SCX32.6 - SCX26.6
	GILDEMEISTER GM35.8
	MORI SAY TMZ 6.30
TI17048	SCHUETTE SCX46.6
TI19326	MORI SAY TMZ 6.32

CENTERING JAW FOR SINGLE SPINDLES ONE 42-42S-65-92

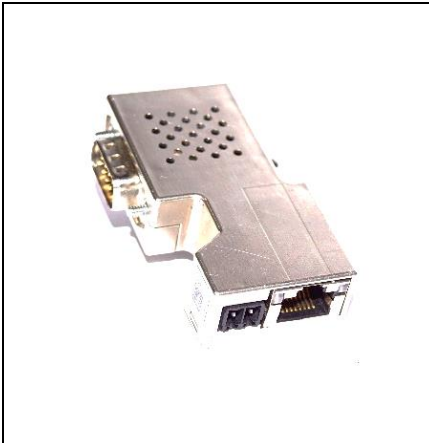


CODE	DIAMETER
PTI00666	FROM Ø5,5 TO Ø64
PTI05123	FROM Ø6 TO Ø92

TELESERVICE KIT



BLT-EL-000761



BLT-EL-000759

BLT-EL-000760



OPTION GSM TELESERVICE KIT



BLT-EL-000757

TELESERVICE KIT INDUSTRY 4.0



	
BLT-EL-000614	BLT-EL-000756

ENCODER AND CABLES

		
<p>STRAIGHT CONNECTOR M8 - 10MT - 3P BLT-CC-000706</p>	<p>CONNECTOR 90° - M12 - 10MT - 4P BLT-CC-000707</p>	<p>STRAIGHT CONNECTOR - M12 - 10MT - 4P BLT-CC-000708</p>
		
<p>CONNECTOR 90° PUR - M12 - 10MT - 4P BLT-CC-000709</p>	<p>SOLENOID VALVE HEAD BLT-CC-000705</p>	<p>PRESSURE SWITCH HEAD BLT-CC-001167</p>
		
<p>DOUBLE SOLENOID VALVE HEAD BLT-EL-000762</p>	<p>ENCODER CABLE 90° BLT-EL-000062</p>	<p>STRAIGHT ENCODER CABLE BLT-EL-000061</p>

		
<p>ETHERNET CONNECTOR KIT FAMALE 16MT BLT-CC-000109</p>	<p>ETHERNET CONNECTOR KIT FAMALE 20MT BLT-CC-000110</p>	<p>ETHERNET CONNECTOR KIT FAMALE 10MT BLT-CC-000621</p>
		
<p>SIGNALS CABLE BLT-CC-000704</p>	<p>SERIAL CABLE BLT-CC-000702</p>	<p>ETHERNET KIT FAMALE 5MT BLT-CC-004960</p>
		
<p>ETHERNET KIT FAMALE 7MT BLT-CC-007162</p>	<p>ETHERNET KIT FAMALE 10MT BLT-CC-004961</p>	

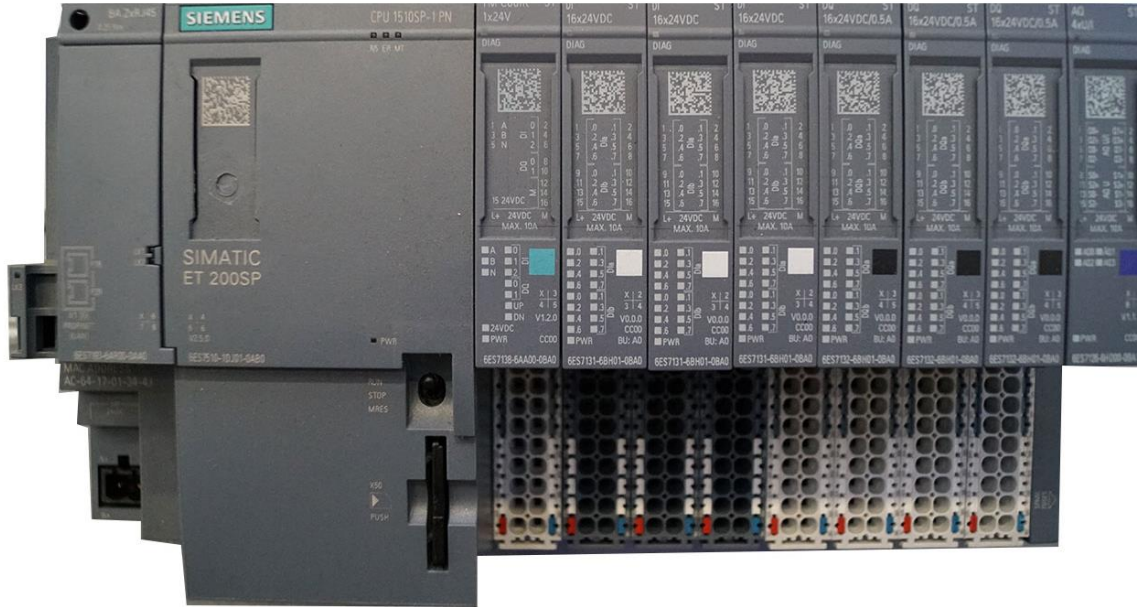
SENSORS

		
<p>FORK SENSOR BLT-CC-000130</p>	<p>FLAT SENSOR BLT-CC-000624</p>	<p>SENSOR DIAMETER 18MM BLT-CC-000368</p>
		
<p>SENSOR DIAMETER 30MM - L30 - M12 BLT-CC-000169</p>	<p>SENSOR DIAMETER 30MM- L30 - WITH CABLE BLT-EL-000549</p>	<p>SENSOR DIAMETER 30MM - L75 BLT-CC-000165</p>
		
<p>SENSOR DIAMETER 8MM BLT-CC000744</p>	<p>PHOTOCELL REFLECTIVE SENSOR BLT-CC-000540</p>	<p>REFLECTOR BLT-CC-000131</p>

		
<p>PHOTOCELL WITH DIRECT DETECTION BLT-CC-000137</p>	<p>PHOTOCELL REFLECTIVE SENSOR BLT-CC-000069</p>	<p>PHOTOCELL REFLECTIVE SENSOR BLT-CC-000542</p>
		
<p>REED SENSOR - M8 BLT-CC-000535</p>	<p>REAB SENSORE BLT-CC-000689</p>	<p>SENSOR DIAMETER 30MM - L75 M12 BLT-CC-000162</p>
		
<p>REED SENSOR - M8 BLT-CC-000712</p>	<p>SENSOR Ø30 LENGTH 75 MM - 110V AC - 220V AC BLT-CC-009833+SENSORE BLT-CC-009834 CAVO</p>	

PLC BOARDS

36 91 29 30 30 30 27 27 27 39



31 32 32 32 31 31 31 31

SERIE S7 1500

DESCRIPTION	CODE
SIMATIC DP, CPU 1512SP-1	BLT-EL-000026
SIMATIC DP, CPU 1510SP-1	BLT-EL-000066
SIMATIC ET 200 BUSADAPTER	BLT-EL-000036
SCHEDA DP/DP	BLT-EL-000120
SIMATIC ET 200 TM COUNT 1X24V COUNTING MODULE	BLT-EL-000029
SIMATIC ET 200SP DIGITTO INPUT MODULE	BLT-EL-000030
SIMATIC ET 200SP DIGITTO OUTPUT MODULE	BLT-EL-000027
SIMATIC ET 200SP ANALOG OUTPUT MODULE	BLT-EL-000039 PROPORTIONAL
SIMATIC ET 200SP BASEUNIT BU15-P16+A0+2D BIANCA	BLT-EL-000031 OUTPUT - PROPORTIONAL
SIMATIC ET 200SP BASEUNIT BU15-P16+A0+2B GRIGIA	BLT-EL-000032 INPUT

SERIE S7 300

DESCRIPTION	CODE
CPU 314	BLT-EL-000021
CPU 315 2AG10	BLT-EL-000088
CPU 313 C	BLT-EL-000067
BOARD DP FOR CPU313C	BLT-EL-000068
BOARD 16 INPUT / 16 OUTPUT	BLT-EL-000022
ENCODER BOARD 1 INPUT	BLT-EL-000023
ENCODER BOARD 4 INPUT	BLT-EL-000089
PROPORTIONAL BOARD	BLT-EL-000025
BOARD DP/DP COUPLER	BLT-EL-000069
CONNECTOR 20 PIN	BLT-EL-000094
CONNECTOR 40 PIN	BLT-EL-000070
CONNECTOR 40 PIN WIRED	BLT-EL-000019

SERIE VIPA

DESCRIPTION	CODE
BOARD VIPA 8 DIG INPUT	BLT-EL-000093
BOARD VIPA 8 DIG OUTPUT	BLT-EL-000094
INTERFACE ETH	BLT-EL-000095

SERIE MITSUBISHI

DESCRIPTION	CODE
CENTRAL UNIT - FX5UC-32MT/DSS-TS	BLT-EL-000274
EXPANSION MODULE - FX5-C32ET/DSS-TS	BLT-EL-000294

PANELS

		
<p>REFURBISHED PANEL OP27 BLT-CC-000979</p>	<p>PANEL KP 700 BLT-CC-000123</p>	<p>PANEL TOUCH BLT-CC-001262</p>

MULTI L



MULTI F

MULTI LS



ONE

LIFTER



BUNDLE

Cucchi BLT

Cucchi BLT srl

Via dei Lavoratori 111 | 20092 Cinisello Balsamo (MI) - Italy | Tel: +39 02 95 24 31 1
info@cucchi-blt.com

Cucchi BLT Deutschland GmbH

Heiner-Fleischmann-Strasse | 774172 Neckarsulm - Germany | Tel: +49 (0)71 32 95 17 10
loader@cucchi-blt.com

Cucchi BLT America, Inc.

1520 Industrial Drive, Unit C | Lake in the Hills - Illinois 60156 USA
inquiries@cucchi-blt.com